

Service  
Service  
**Service**



# Service Manual

## TABLE OF CONTENTS

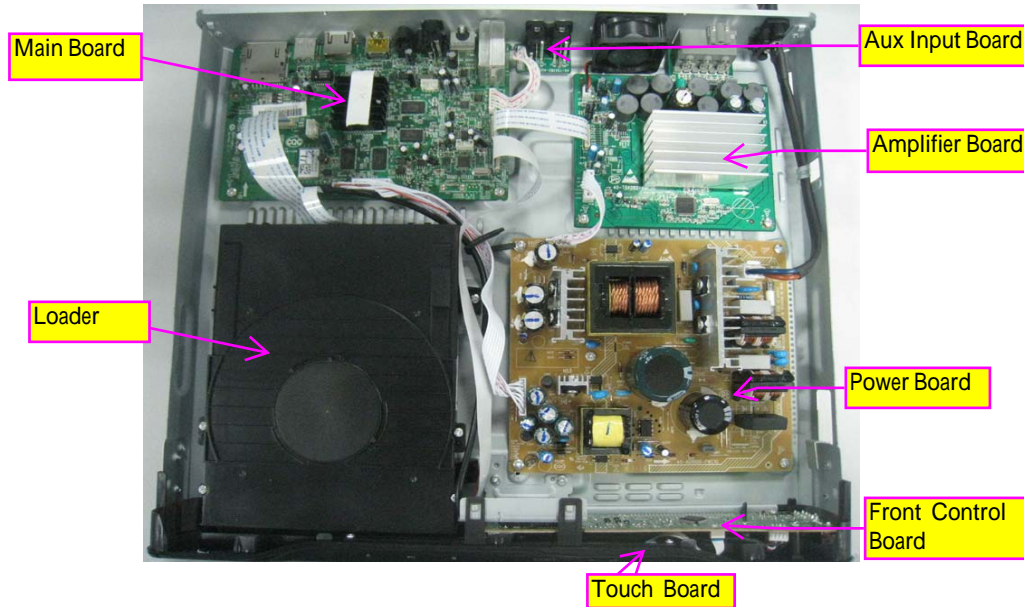
Page

|   |     |
|---|-----|
| . Location of PCB BdsyVersion Variation and Repair Scenario Matrix..... | 1-2 |
| . Technical Specifications.....   | 1-3 |
| . Safety Instruction, Warning & Notes.....                              | 1-4 |
| . DFU Instruction.....  | 2-1 |
| . Mechanical and Dismantling Instructions.....                          | 3-1 |
| . Software Upgrades .....   | 4-1 |
| . Trouble Shooting Chart.....   | 5-1 |
| . Wiring Diagram.....   | 6-1 |
| . Electrical Diagrams and Print-layouts.....                            | 7-1 |
| . Set Mechanical Exploded view & Part list.....                         | 8-1 |
| . Revision List.....  | 9-1 |

©Copyright 2011 Philips Consumer Electronics B.V. Eindhoven, The Netherlands  
All rights reserved. No part of this publication may be reproduced, stored in aretrieval system or transmitted, in any form or by any means, electronic, mechanical, photocopying, or otherwise without the prior permission of Philips.

**CLASS 1  
LASER PRODUCT**

## PCB BOARD LOCATION:



## Version Variation

| Type/Versions<br>Features | HTS3261 |     |
|---------------------------|---------|-----|
|                           | /12     | /98 |
| Output Power- 400W        | X       | X   |
| Voltage(220~240V)         | X       | X   |
| MP3 LINK                  | X       | X   |

## Repair Scenario Matrix

| Type/Versions<br>Board in used | HTS3261 |     |
|--------------------------------|---------|-----|
|                                | /12     | /98 |
| Main Board                     | C       | C   |
| Front Control Board            | C       | C   |
| Amplifier Board                | C       | C   |
| Power Board                    | C       | C   |
| Touch Board                    | B       | B   |
| Aux Input Board                | B       | B   |

\*Bd:Board Level Replacement

\*C:Component Level Repair

## Specification for HTS3261/12/98 :

# Product Specifications



### Note

- Specifications and design are subject to change without notice.

## Region codes

The type plate on the back or bottom of the home theater shows which regions it supports.

| Country                        | DVD | BD |
|--------------------------------|-----|----|
| Europe,<br>United Kingdom      |     |    |
| Asia Pacific, Taiwan,<br>Korea |     |    |
| Latin America                  |     |    |
| Australia,<br>New Zealand      |     |    |
| Russia, India                  |     |    |
| China                          |     |    |

## Media formats

- AVCHD, BD, BD-R/ BD-RE, BD-Video, DVD-Video, DVD+R/+RW, DVD-R/-RW, DVD+R/-R DL, CD-R/CD-RW, Audio CD, Video CD/SVCD, Picture files, MP3 media, WMA media, DivX Plus HD media, USB storage device

## File formats

- Audio: .aac, .mka, .mp3, .wma, .wav, .mp4, .m4a
- Video:
  - .avi, .divx, .mp4, .mkv, .asf, .wmv, .mpg, .mpeg,
  - .rmvb, .rm (Available only in Asia Pacific and China)
- Picture: .jpg, .jpeg, .gif, .png

## Audio formats

Your home theater supports the following audio files.

| Extension | Container | Audio codec   | Bit rate           |
|-----------|-----------|---------------|--------------------|
| .mp3      | MP3       | MP3           | 32 kbps ~ 320 kbps |
| .wma      | ASF       | WMA           | 64 kbps ~ 160 kbps |
| .aac      | AAC       | AAC, HE-AAC   | 192 kbps           |
| .wav      | WAV       | PCM           | 1.4 Mbps           |
| .m4a      | MKV       | AAC           | 192 kbps           |
| .mka      | MKA       | PCM           | 27.648 Mbps        |
| .mka      | MKA       | Dolby Digital | 640 kbps           |
| .mka      | MKA       | DTS core      | 1.54 Mbps          |
| .mka      | MKA       | MPEG          | 912 kbps           |
| .mka      | MKA       | MP3           | 32 kbps ~ 320 kbps |
| .mka      | MKA       | WMA           | 64 kbps ~ 160 kbps |
| .mka      | MKA       | AAC, HE-AAC   | 192 kbps           |

## Video formats

If you have a high definition TV, your home theater allows you to play your video files with:

- Resolution: 1920 × 1080 pixels at
- Frame rate: 6 ~ 30 frames per second.

**.avi files in AVI container**

| Audio codec                            | Video codec                             | Bit rate               |
|--|---|------------------------|
| PCM, Dolby Digital, DTS core, MP3, WMA | DivX 3.11, DivX 4.x, DivX 5.x, DivX 6.x | 10 Mbps max            |
|  | MPEG 1, MPEG 2                          | 20 Mbps (peak 40 Mbps) |
|  | MPEG 4 ASP                              | 10 Mbps max            |
|  | H.264/AVC HP@4.1/4.0; MP@3.2/3.1/3.0    | 20 Mbps (peak 40 Mbps) |
|  | WMV9                                    | 20 Mbps                |

**.divx files in AVI container**

| Audio codec                  | Video codec                             | Bit rate               |
|------------------------------|---|------------------------|
| PCM, Dolby Digital, MP3, WMA | DivX 3.11, DivX 4.x, DivX 5.x, DivX 6.x | 10 Mbps max            |
|                              | MPEG 1, MPEG 2                          | 20 Mbps (peak 40 Mbps) |
|                              | MPEG 4 ASP                              | 10 Mbps max            |

**.mp4 or .m4v files in MP4 container**

| Audio codec                           | Video codec                          | Bit rate               |
|---------------------------------------|--------------------------------------|------------------------|
| Dolby Digital, MPEG, MP3, AAC, HE-AAC | MPEG 1, MPEG 2                       | 20 Mbps (peak 40 Mbps) |
|                                       | MPEG 4 ASP                           | 10 Mbps max            |
|                                       | H.264/AVC HP@4.1/4.0; MP@3.2/3.1/3.0 | 20 Mbps (peak 40 Mbps) |

**.mkv files in MKV container**

| Audio codec   | Video codec                          | Bit rate               |
|---|--------------------------------------|------------------------|
| PCM, Dolby Digital, DTS core, MPEG, MP3, WMA, AAC, HE-AAC | MPEG 1, MPEG 2                       | 20 Mbps (peak 40 Mbps) |
|   | MPEG 4 ASP                           | 10 Mbps max            |
|   | H.264/AVC HP@4.1/4.0; MP@3.2/3.1/3.0 | 20 Mbps (peak 40 Mbps) |
|   | WMV9                                 | 20 Mbps                |

**.asf and .wmv files in ASF container**

| Audio codec                  | Video codec                          | Bit rate               |
|------------------------------|--------------------------------------|------------------------|
| PCM, Dolby Digital, MP3, WMA | MPEG 4 ASP                           | 10 Mbps max            |
|                              | H.264/AVC HP@4.1/4.0; MP@3.2/3.1/3.0 | 20 Mbps (peak 40 Mbps) |
|                              | WMV9                                 | 20 Mbps                |

**.mpg and .mpeg files in PS container**

| Audio codec              | Video codec    | Bit rate               |
|--------------------------|----------------|------------------------|
| PCM, DTS core, MPEG, MP3 | MPEG 1, MPEG 2 | 20 Mbps (peak 40 Mbps) |
|                          | MPEG 1, MPEG 2 | 20 Mbps (peak 40 Mbps) |

**.rm and .rmvb files in RM container (Available only in Asia Pacific and China)**

| Audio codec | Video codec | Bit rate               |
|-------------|-------------|------------------------|
| AAC, COOK   | RV30, RV40  | 20 Mbps (peak 40 Mbps) |

## Amplifier

- Total output power: 400W RMS (30% THD)
- Frequency response: 20 Hz-20 kHz /  $\pm 3$  dB
- Signal-to-noise ratio: > 65 dB (CCIR) / (A-weighted)
- Input sensitivity:
  - AUX1, AUX2: 2 V
  - Music iLink: 1 V

## Video

- Signal system: PAL / NTSC
- HDMI output: 480i/576i, 480p/576p, 720p, 1080i, 1080p, 1080p24

## Audio

- S/PDIF Digital audio input:
  - Coaxial: IEC 60958-3
  - Optical: TOSLINK
- Sampling frequency:
  - MP3: 32 kHz, 44.1 kHz, 48 kHz
  - WMA: 44.1 kHz, 48 kHz
- Constant bit rate:
  - MP3: 32 kbps - 320 kbps
  - WMA: 48 kbps - 192 kbps

## Radio

- Tuning range:
  - Europe/Russia/China: FM 87.5-108 MHz (50 kHz)
  - Asia Pacific/Latin America: FM 87.5-108 MHz (50/100 kHz)
- Signal-to-noise ratio: FM 50 dB
- Frequency response: FM 200 Hz-12.5 kHz /  $\pm 6$  dB

## USB

- Compatibility: Hi-Speed USB (2.0)
- Class support: USB Mass Storage Class (MSC)
- File system: FAT16, FAT32, NTFS
- Maximum memory support: < 160 GB

## Main unit

- Power supply:
  - Europe/China/Russia/India: 220-240 V~, 50 Hz
  - Latin America/Asia Pacific: 110-127 V/220-240 V~, 50-60 Hz
- Power consumption: 75 W
- Standby power consumption:  $\leq 0.5$  W
- Dimensions (WxHxD): 360 x 58 x 315 mm
- Weight: 2.63 kg

## Subwoofer

- Output power: 200W RMS (30% THD)
- Impedance: 3 ohm
- Speaker drivers: 165 mm (6.5") woofer
- Dimensions (WxHxD): 123 x 309 x 369 mm
- Weight: 3.84 kg
- Cable length: 3 m

## Speakers

- Output power: 2 x 100W RMS (30% THD)
- Speaker impedance: 6 ohm
- Speaker drivers: 1 x 76.2 mm (3") full range woofer
- Dimensions (WxHxD): 95 x 161 x 87 mm
- Weight: 0.55 kg/each
- Cable length: 4 m

## Remote control batteries

- 2 x AAA-R03-1.5 V

## Laser

- Laser Type (Diode): InGaN/AlGaIn (BD), AlGaInP (DVD/CD)
- Wave length: 405 +7 nm/-7 nm (BD), 655 +10 nm/-10 nm (DVD), 790 +10 nm/-20 nm (CD)
- Output power (Max. ratings): 20 mW (BD), 6 mW (DVD), 7 mW (CD)

## Safety instruction, Warning & Notes

### Safety instruction

---

#### 1. General safety

Safety regulations require that during a repair:

- . Connect the unit to the mains via an isolation transformer.
- . Replace safety components indicated by the symbol ▲, only by components identical to the original ones. Any other component substitution (other than original type) may increase risk of fire or electrical shock hazard.

Safety regulations require that after a repair, you must return the unit in its original condition. Pay, in particular, attention to the following points:

- . Route the wires/cables correctly, and fix them with the mounted cable clamps.
- . Check the insulation of the mains lead for external damage.
- . Check the electrical DC resistance between the mains plug and the secondary side:
  - 1) Unplug the mains cord, and connect a wire between the two pins of the mains plug.
  - 2) Set the mains switch the "on" position (keep the mains cord unplug).
  - 3) Measure the resistance value between the mains plug and the front panel, controls, and chassis bottom.
  - 4) Repair or correct unit when the resistance measurement is less than 1M $\Omega$ .
  - 5) Verify this, before you return the unit to the customer/user (ref. UL-standard no. 1492).
  - 6) Switch the unit "off", and remove the wire between the two pins of the mains plug.

#### 2.Laser safety

This unit employs a laser. Only qualified service personnel may remove the cover, or attempt to service this device (due to possible eye injury).

Laser device unit

|              |                              |
|--------------|------------------------------|
| Type         | : Semiconductor laser GaAlAs |
| Wavelength   | : 650nm (DVD)                |
|              | : 780nm (VCD/CD)             |
| Output power | : 7mW (DVD)                  |
|              | : 10mW (DVD /CD)             |

Beam divergence: 60 degree

Note: Use of controls or adjustments or performance of procedure other than those specified herein, may result in hazardous radiation exposure. Avoid direct exposure to beam.

## Warning

---

### 1. General

. All ICs and many other semiconductors are susceptible to electrostatic discharges (ESD). Careless handling during repair can reduce life drastically. Make sure that, during repair, you are at the same potential as the mass of the set by a wristband with resistance. Keep components and tools at this same potential. Available ESD protection equipment:

- 1) Complete kit ESD3 (small tablemat, wristband, connection box, extension cable and earth cable) 4822 310 10671.
- 2) Wristband tester 4822 344 13999.

. Be careful during measurements in the live voltage section. The primary side of the power supply, including the heat sink, carries live mains voltage when you connect the player to the mains (even when the player is "off!"). It is possible to touch copper tracks and/or components in this unshielded primary area, when you service the player. Service personnel must take precautions to prevent touching this area or components in this area. A "lighting stroke" and a stripe-marked printing on the printed wiring board, indicate the primary side of the power supply.

. Never replace modules, or components, while the unit is "on".

### 2. Laser

- . The use of optical instruments with this product, will increase eye hazard.
- . Only qualified service personnel may remove the cover or attempt to service this device, due to possible eye injury.
- . Repair handling should take place as much as possible with a disc loaded inside the player.
- . Text below is placed inside the unit, on the laser cover shield:

**CAUTION: VISIBLE AND INVISIBLE LASER RADIATION WHEN OPEN, AVOID EXPOSURE TO BEAM.**

Notes: Manufactured under licence from Dolby Laboratories. The double-D symbol is trademarks of Dolby Laboratories, Inc. All rights reserved.

## Service Hints

### CAUTION

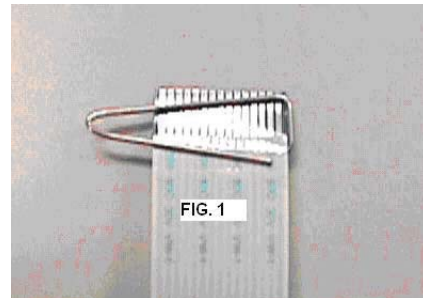
**CHARGED CAPACITORS ON THE SERVO BOARD MAY DAMAGE THE DRIVE ELECTRONICS WHEN CONNECTING A NEW DRIVE. THAT'S WHY, BESIDES THE SAFETY MEASURES LIKE**

- SWITCH OFF POWER SUPPLY
- ESD PROTECTION

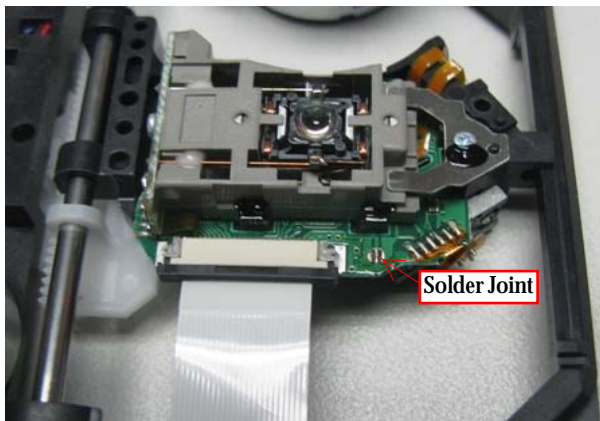
**ADDITIONAL ACTIONS MUST BE TAKEN BY THE REPAIR TECHNICIAN.**

### The following steps have to be done when replacing the defective loader :

1. Dismantling of the loader to access the ESD protection point if necessary.
2. **Solder the ESD protection point\***.
3. Disconnect flexfoil cable from the defective loader.
4. Put a paper clip on the flexfoil to short-circuit the contacts (fig.1)
5. Replace the defective loader with a new loader.
6. Remove paperclip from the flexfoil and connect it to the new loader.
7. Remove solder joint on the ESD protection point.



ATTENTION: The laser diode of this loader is protected against ESD by a solder joint which shortcircuits the laserdiode to ground. For proper functionality of the loader this solder joint must be remove **after** connection loader to the set.



(ESD protection point is accessible from top of loader)

***\*Only applicable for defective loader needed to be sent back to supplier for failure analysis and to support backcharging evidence.***

***This is also applicable for all partnership workshops.***




## Notes

### Lead-Free requirement for service

---

#### IDENTIFICATION:

Regardless of special logo (not always indicated) 

One must treat all sets from 1.1.2005 onwards, according next rules.

*Important note: In fact also products a little older can also be treated in this way as long as you avoid mixing solder-alloys (leaded/ lead-free). So best to always use SAC305 and the higher temperatures belong to this.*

Due to lead-free technology some rules have to be respected by the workshop during a repair:

- Use only lead-free solder alloy Philips SAC305 with order code 0622 149 00106. If lead-free solder-paste is required, please contact the manufacturer of your solder-equipment. In general use of solder-paste within workshops should be avoided because paste is not easy to store and to handle.
- Use only adequate solder tools applicable for lead-free solder alloy. The solder tool must be able
  - To reach at least a solder-temperature of 400°C,
  - To stabilize the adjusted temperature at the solder-tip
  - To exchange solder-tips for different applications.
- Adjust your solder tool so that a temperature around 360°C – 380°C is reached and stabilized at the solder joint. Heating-time of the solder-joint should not exceed ~ 4 sec. Avoid temperatures above 400°C otherwise wear-out of tips will rise drastically and flux-fluid will be destroyed. To avoid wear-out of tips switch off un-used equipment, or reduce heat.
- Mix of lead-free solder alloy / parts with leaded solder alloy / parts is possible but PHILIPS recommends strongly to avoid mixed solder alloy types (leaded and lead-free). If one cannot avoid, clean carefully the solder-joint from old solder alloy and re-solder with new solder alloy (SAC305).

- Use only original spare-parts listed in the Service-Manuals. Not listed standard-material (commodities) has to be purchased at external companies.
- Special information for BGA-ICs:
  - always use the 12nc-recognizable soldering temperature profile of the specific BGA (for de-soldering always use highest lead-free temperature profile, in case of doubt)
  - lead free BGA-ICs will be delivered in so-called 'dry-packaging' (sealed pack including a silica gel pack) to protect the IC against moisture. After opening, dependent of MSL-level seen on indicator-label in the bag, the BGA-IC possibly still has to be baked dry. This will be communicated via AYS-website.
- Do not re-use BGAs at all.
- For sets produced before 1.1.2005, containing leaded soldering-tin and components, all needed spare-parts will be available till the end of the service-period. For repair of such sets nothing changes.
- On our website:

**[www.atyourservice.ce.Philips.com](http://www.atyourservice.ce.Philips.com)**

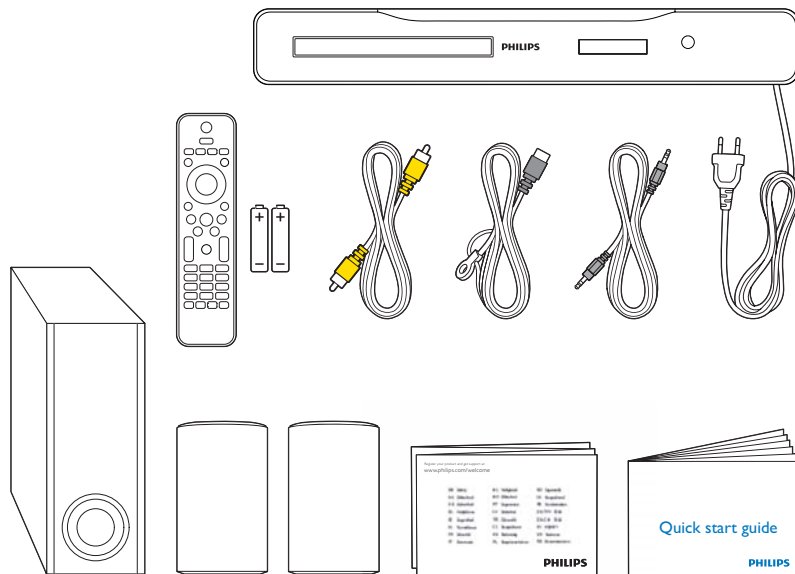
You find more information to:

BGA-de-/soldering (+ baking instructions)  
Heating-profiles of BGAs and other ICs used in Philips-sets

You will find this and more technical information within the "magazine", chapter "workshop news".  
For additional questions please contact your local repair-helpdesk.

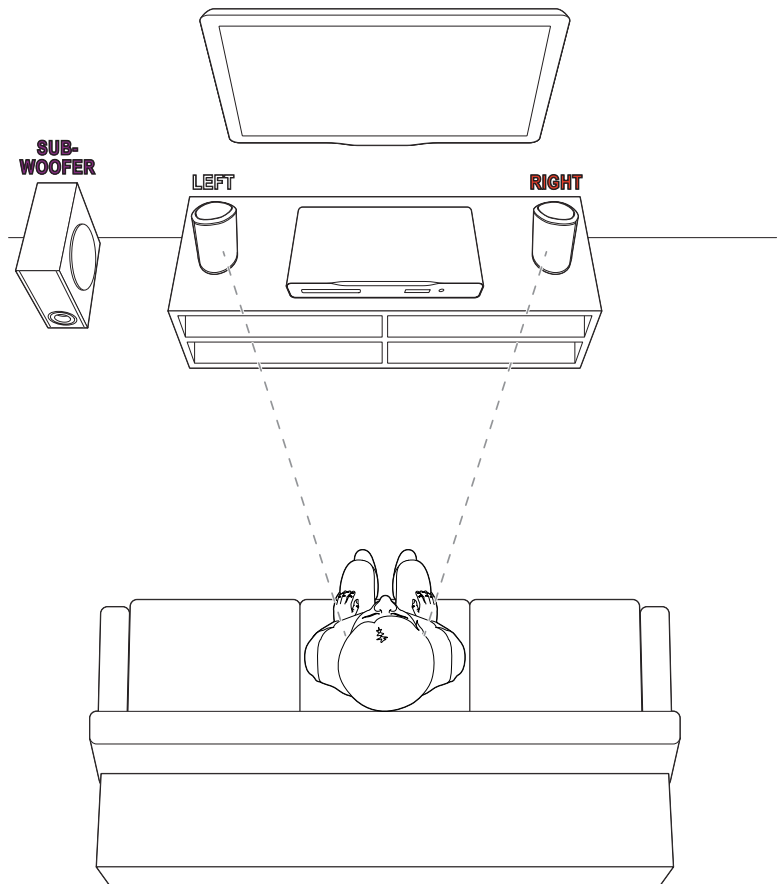


- EN** What's in the box  
**DA** Hvad følger med  
**DE** Verpackungsinhalt  
**EL** Περιεχόμενα συσκευασίας  
**ES** Contenido de la caja  
**FI** Pakkauksen sisältö  
**FR** Contenu de l'emballage  
**IT** Contenuto della confezione  
**NL** De inhoud van de doos  
**NO** Innholdet i esken  
**PT** Conteúdo da embalagem  
**SV** Vad finns i förpackningen?  
**TR** Kutu içeriği  
**CS** Obsah balení  
**HU** A doboz tartalma  
**PL** Zawartość opakowania  
**RO** Ce se află în cutie  
**SK** Obsah balenia



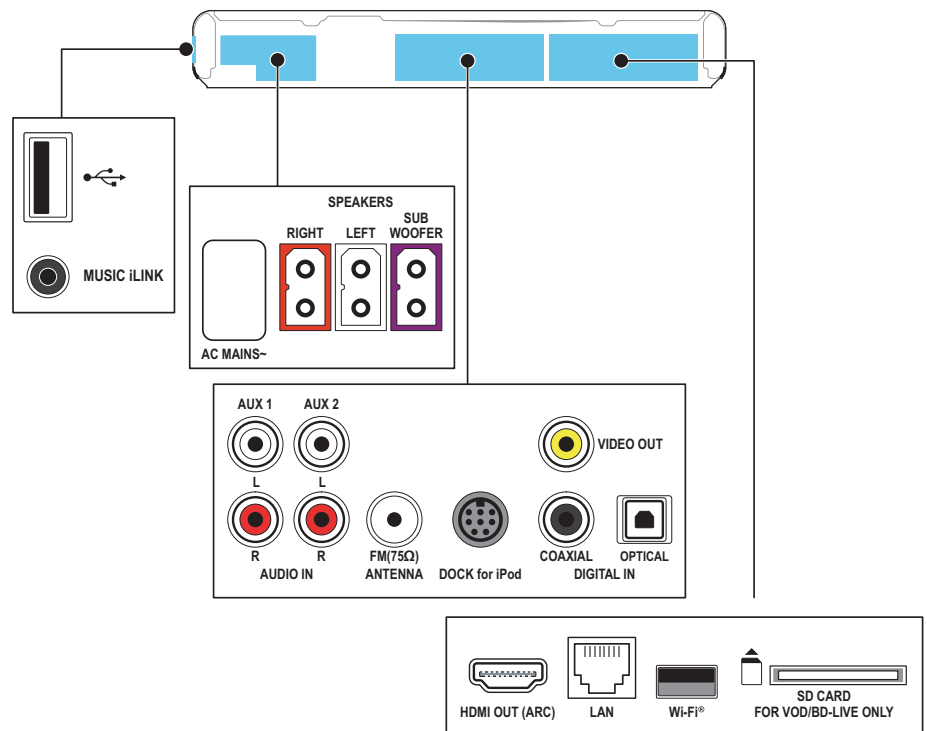
## 1

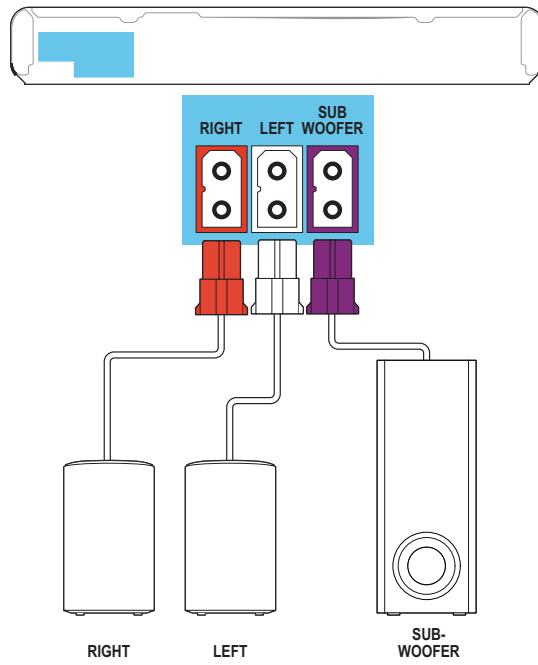
- EN** Position the speakers  
**DA** Vælg en placering til højttalerne  
**DE** Positionieren der Lautsprecher  
**EL** Τοποθετήστε τα ηχεία  
**ES** Coloca los altavoces  
**FI** Kaiuttimien sijainti  
**FR** Positionner les enceintes  
**IT** Posizionamento degli altoparlanti  
**NL** Plaats de luidsprekers  
**NO** Plassere høyttalerne  
**PT** Posicionar os altifalantes  
**SV** Placera högtalarna  
**TR** Hoparlörleri yerleştirin  
**CS** Umístěte reproduktory  
**HU** A hangsugárzók elhelyezése  
**PL** Rozmieszczenie głośników  
**RO** Poziționați boxe  
**SK** Rozmiestnenie reproduktorov

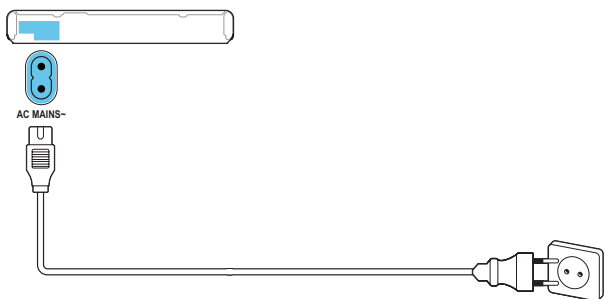
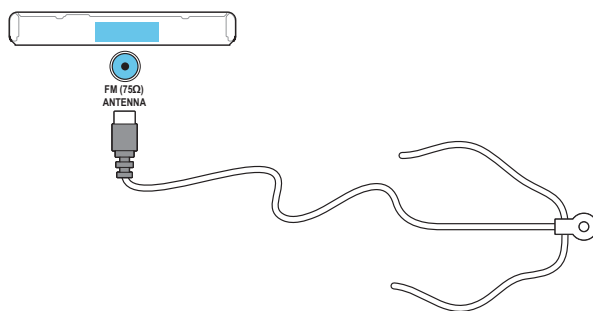
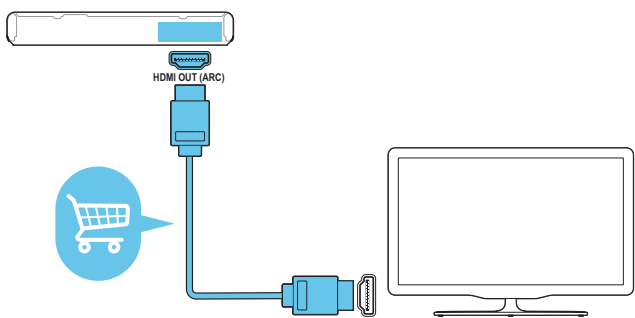


## 2

- EN** Connect the home theater  
**DA** Tilslut hjemmteatret  
**DE** Anschließen des Home Entertainment-Systems  
**EL** Συνδέστε το home cinema  
**ES** Conecta el sistema de cine en casa  
**FI** Kotiteatterin liittäminen  
**FR** Connecter les enceintes au Home Cinéma  
**IT** Collegamento del sistema Home Theater  
**NL** Sluit de home cinema aan  
**NO** Koble til hjemmekinoanlegget  
**PT** Efectuar as ligações ao sistema de cinema em casa  
**SV** Anslut hemmabiosystemet  
**TR** Ev sinemasını bağlayın  
**CS** Připojte domácí kino  
**HU** A házimozi csatlakoztatása  
**PL** Podłączenie zestawu kina domowego  
**RO** Conectați sistemul home theater  
**SK** Pripojenie k domácemu kinu



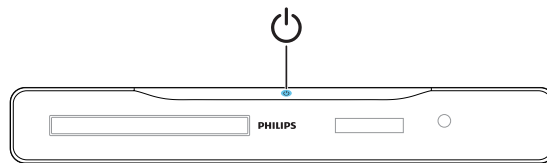




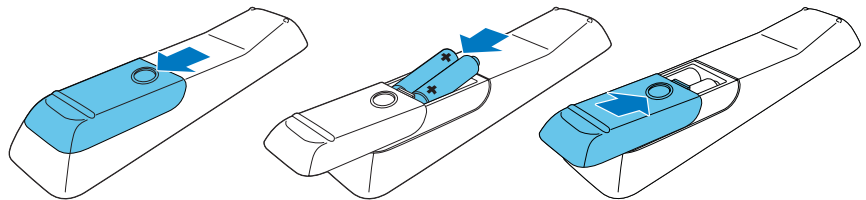
## 3

- EN** Switch on the home theater  
**DA** Tænd for hjemmebiografen  
**DE** Einschalten des Home Entertainment-Systems  
**EL** Ενεργοποιήστε το home cinema  
**ES** Enciende el sistema de cine en casa  
**FI** Virran kytkeminen kotiteatteriin  
**FR** Mettre sous tension le Home Cinéma  
**IT** Accensione del sistema Home Theater  
**NL** Schakel de home cinema in  
**NO** Slå på hjemmekinoanlegget  
**PT** Ligar o sistema de cinema em casa  
**SV** Sätt på hemmabiosystemet  
**TR** Ev sinemasını açın  
**CS** Zapněte domácí kino  
**HU** A házimozi bekapcsolása  
**PL** Włączenie zestawu kina domowego  
**RO** Porniți sistemul home theater  
**SK** Zapnutie domáceho kina

1



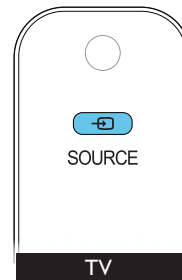
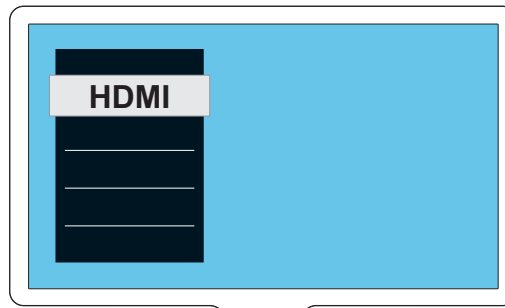
2



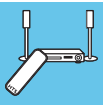


- EN** Complete the first time setup  
**DA** Fuldfør den indledende opsætning  
**DE** Abschließen der Ersteinrichtung  
**EL** Ολοκληρώστε τη ρύθμιση για πρώτη φορά  
**ES** Finaliza la configuración inicial  
**FI** Ensiasennuksen suorittaminen loppuun  
**FR** Effectuer la configuration initiale  
**IT** Completamento della configurazione iniziale  
**NL** Voltooi de eerste installatie  
**NO** Fullfør den første konfigureringen  
**PT** Executar a configuração inicial  
**SV** Slutför förstagångsinställningen  
**TR** İlk kullanım öncesi kurulumunu tamamlayın  
**CS** Dokončíte jste nastavení při prvním zapnutí  
**HU** Az első üzembe helyezés  
**PL** Pierwsza konfiguracja  
**RO** Realizați prima configurare  
**SK** Dokončenie prvého nastavenia

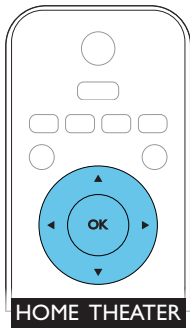
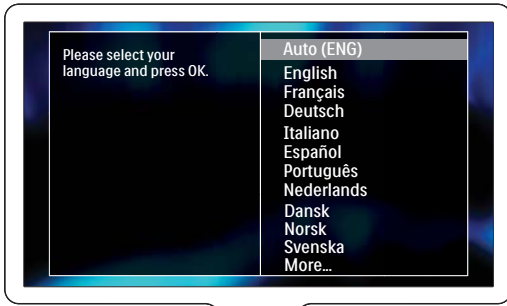
1



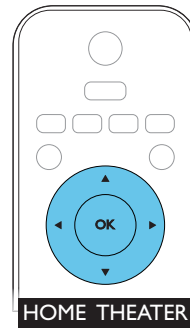
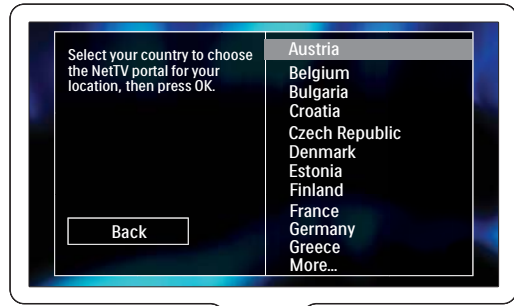




2

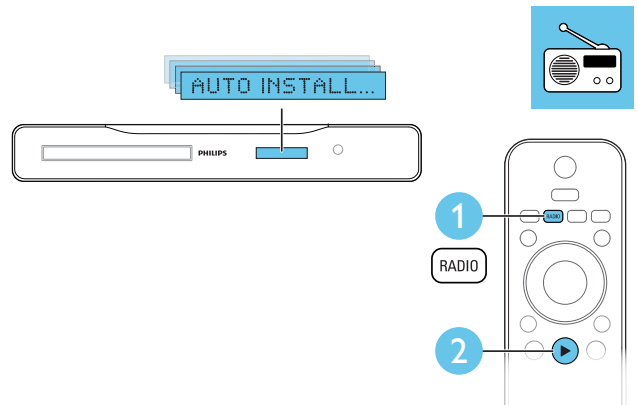
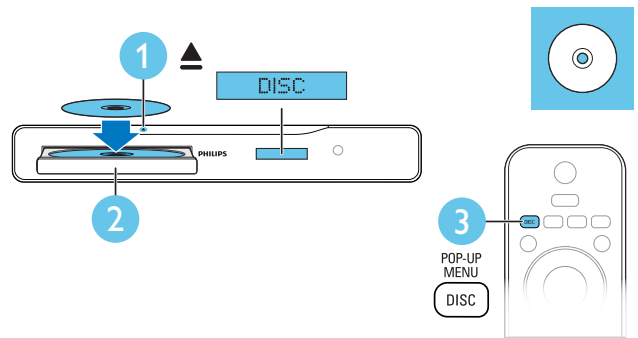


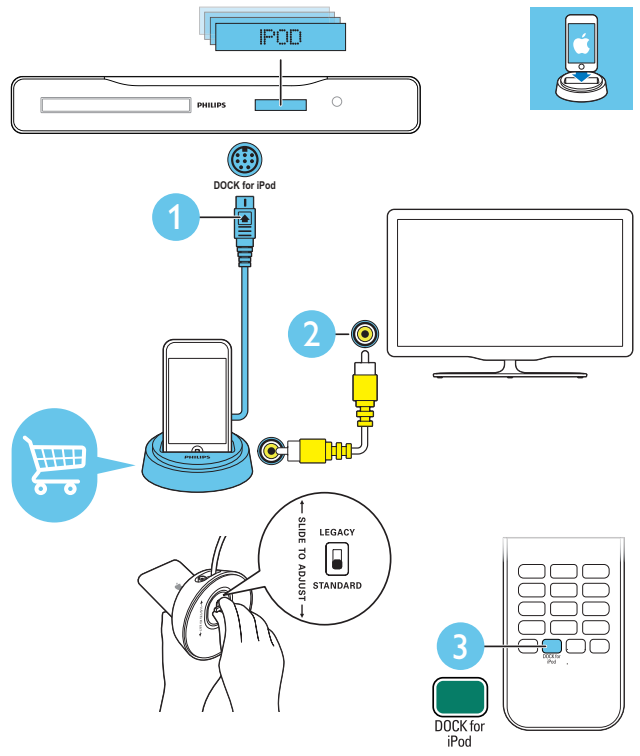
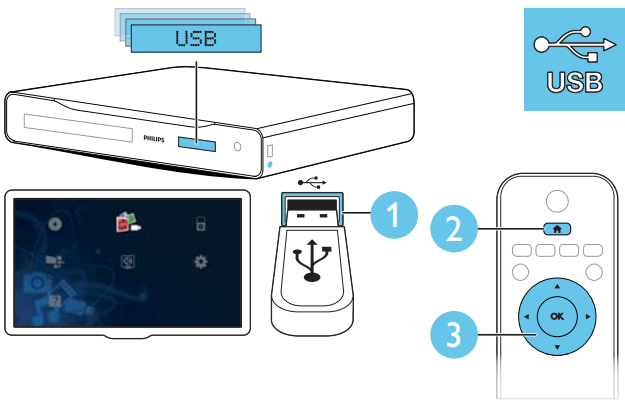
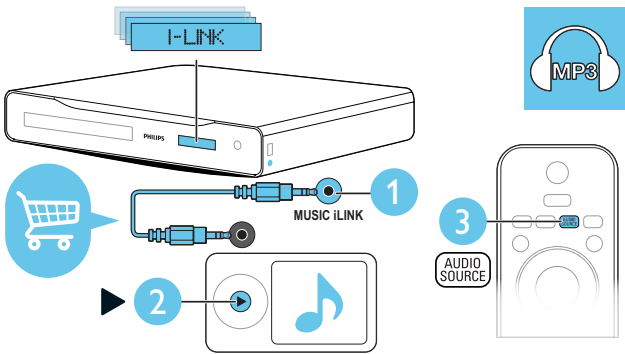
3



## 5

- EN** Use your home theater  
**DA** Brug af din hjemmebiograf  
**DE** Verwenden des Home Entertainment-Systems  
**EL** Χρησιμοποιήστε το home cinema  
**ES** Uso del sistema de cine en casa  
**FI** Kotiteatterin käyttäminen  
**FR** Utilisez votre Home Cinéma  
**IT** Utilizzo del sistema Home Theater  
**NL** Uw home cinema bedienen  
**NO** Bruke hjemmekinoanlegget  
**PT** Utilizar o sistema de cinema em casa  
**SV** Använda hemmabiosystemet  
**TR** Ev sinema sisteminin kullanılması  
**CS** Použití domácího kina  
**HU** A házi mozi használat  
**PL** Korzystanie z zestawu kina domowego  
**RO** Utilizați sistemul home theater  
**SK** Používanie domáceho kina



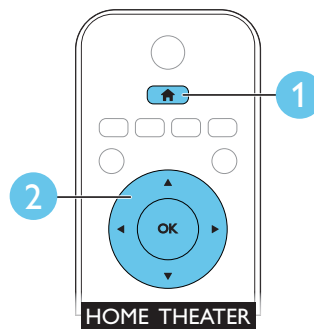
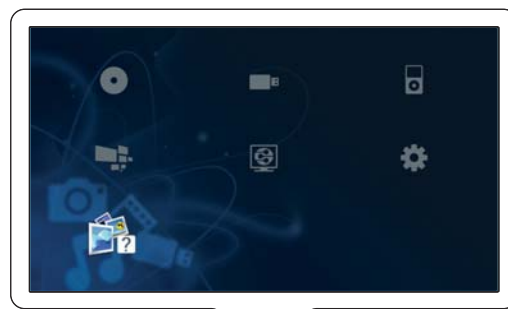




- EN** Need more information about your product? Search the onscreen help
- DA** Har du brug for mere information om produktet? Søg i skærnhjælpen.
- DE** Benötigen Sie weitere Informationen zu Ihrem Produkt? Suchen Sie in der Bildschirmhilfe.
- EL** Θέλετε περισσότερες πληροφορίες σχετικά με το προϊόν σας; Κάντε αναζήτηση στη βοήθεια επί της οθόνης.
- ES** Si necesita más información sobre el producto, busque en la ayuda en pantalla.
- FI** Tarvitseko tuotteen lisätietoja? Perehdy näyttöohjeeseen.
- FR** Vous souhaitez de plus amples informations sur votre produit ? Effectuez une recherche dans l'aide à l'écran.
- IT** Per ulteriori informazioni sul prodotto, consultare la guida su schermo.
- NL** Wilt u meer informatie over uw product? Zoek in de help op het scherm.
- NO** Trenger du mer informasjon om produktet? Søk i hjelpen på skjermen.
- PT** Necesita de mais informações sobre o produto? Pesquise a ajuda no ecrã.
- SV** Vill du ha mer information om den här produkten? Sök i skärnhjälpen.
- TR** Ürününüz hakkında daha fazla bilgiye mi ihtiyacınız var? Ekran yardımında arama yapın.
- CS** Potřebujete další informace o produktu? Prohleďte elektronickou nápovědu.
- HU** Segítségre van szüksége a termékkel kapcsolatban? Kérdésére a képernyőn megjelenő súgóban találhat választ.
- PL** Potrzebujesz więcej informacji o tym produkcie? Wyszukaj ją w pomocy wyświetlanej na ekranie.

**RO** Aveți nevoie de informații suplimentare despre produsul dumneavoastră? Căutați în meniul de asistență pe ecran.

**SK** Potrebujete ďalšie informácie o svojom produkte? Pozrite si pomocníka na obrazovke.

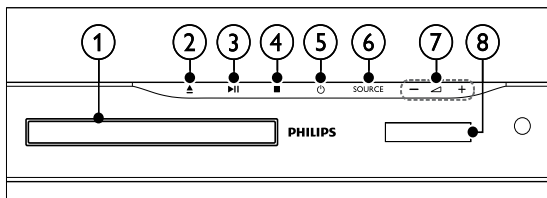


HTS3261/12/98 :

# Home Theater

Congratulations on your purchase, and welcome to Philips! To fully benefit from the support that Philips offers, register your home theater at [www.philips.com/welcome](http://www.philips.com/welcome).

## Main unit



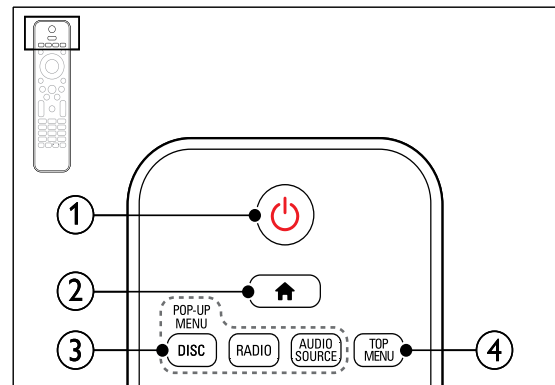
- ① **Disc compartment**
- ② **▲ (Open/Close)**  
Open or close the disc compartment, or eject the disc.
- ③ **▶|| (Play/Pause)**  
Start, pause or resume play.
- ④ **■ (Stop)**  
Stop play.
- ⑤ **⏻ (Standby-On)**  
Switch the home theater on or to standby.
- ⑥ **SOURCE**  
Select an audio or video source for the home theater.
- ⑦ **↔ +/- (Volume)**  
Increase or decrease volume.
- ⑧ **Display panel**

## Remote control

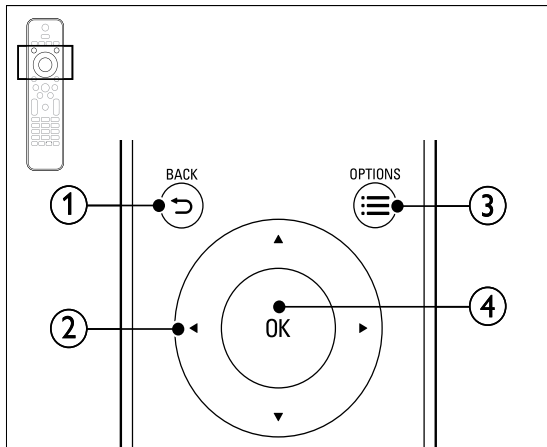
This section includes an overview of the remote control.

### Overview

Control your home theater with the remote control.



- ① **⏻ (Standby-On)**
  - Switch the home theater on or to standby.
  - When EasyLink is enabled, press and hold for at least three seconds to switch all connected HDMI CEC compliant devices to standby.
- ② **🏠 (Home)**  
Access the home menu.
- ③ **Source buttons**
  - **DISC/POP-UP MENU:** Access or exit the disc menu when you play a disc.
  - **RADIO:** Switch to FM radio.
  - **AUDIO SOURCE:** Select an audio input source.
- ④ **TOP MENU**  
Access the main menu of a video disc.



① ↶ BACK

- Return to a previous menu screen.
- In radio mode, press and hold to erase the current preset radio stations.

② Navigation buttons

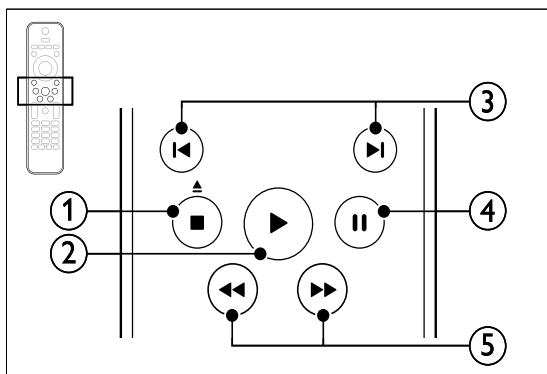
- Navigate menus.
- In radio mode, press left or right to start auto search.
- In radio mode, press up or down to tune the radio frequency.

③ ≡ OPTIONS

- Access more play options while playing a disc or a USB storage device.
- In radio mode, set a radio station.

④ OK

Confirm an entry or selection.



① ■ (Stop) / ▲ (Eject/Open/Close)

- Stop play.
- Press and hold for three seconds to open or close the disc compartment, or eject the disc.

② ▶ (Play)

Start or resume play.

③ ◀ / ▶ (Previous/Next)

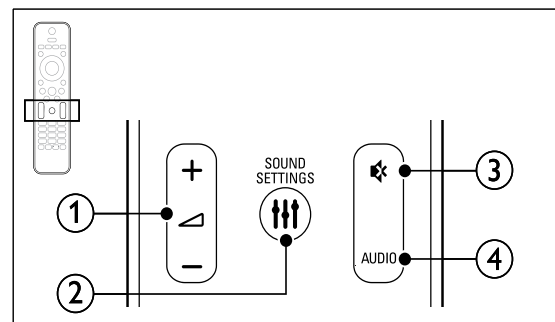
- Skip to the previous or next track, chapter or file.
- In radio mode, select a preset radio station.

④ || (Pause)

Pause play.

⑤ ◀◀ / ▶▶ (Fast Backward/Fast Forward)

Search backwards or forward. Press repeatedly to change the search speed.



① ▲ +/- (Volume)

Increase or decrease volume.

② ≡ SOUND SETTINGS

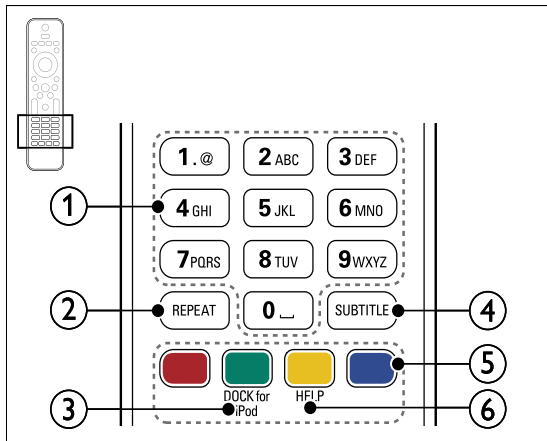
Access or exit sound options.

③ ✖ (Mute)

Mute or restore volume.

④ AUDIO

Select an audio language or channel.



- ① **Alphanumeric buttons**  
Enter values or letters (using SMS style entry).
- ② **REPEAT**  
Select or turn off repeat mode.
- ③ **DOCK for iPod**  
Switch to Philips dock for iPod or iPhone.
- ④ **SUBTITLE**  
Select subtitle language for video.
- ⑤ **Color buttons**  
Select tasks or options for Blu-ray discs.
- ⑥ **HELP**  
Access the onscreen help.

---

## EasyLink controls

With Easylink, you can control your home theater and the TV with the following buttons on your home theater remote control (see 'EasyLink' on page 36).

- **⏻ (Standby-On)**: Press and hold to switch your home theater, TV and the connected devices to standby.
- **▶ (Play)**: When a video disc is in the disc compartment, wake up the TV from standby, and then play a disc.

## Mechanical and Dismantling Instructions

### Dismantling Instruction

Detailed information please refer to the model set.

The following guidelines show how to dismantle the player.

**Step1:** Remove 6 screws around the Top Cover, and then remove the Top Cover (Figure 1).



Figure 1

**Step2:** If it is necessary to dismantle Loader or Front Panel, the Front door should be removed first. (Figure 2)

Note: Make sure to operate gently otherwise the guider would be damaged.



Please kindly note that dismantle the front door assembly carefully to avoid damage tray and the front door.

Figure 2



## Mechanical and Dismantling Instructions

### Dismantling Instruction

Detailed information please refer to the model set.

**Step3** : Dismantle Front Panel, disconnect the connectors (XP6, XP8), need release 4 snaps of Front Panel & 2 snaps of bottom cabinet , then gently pull the Panel out from the set. (Figure 3)

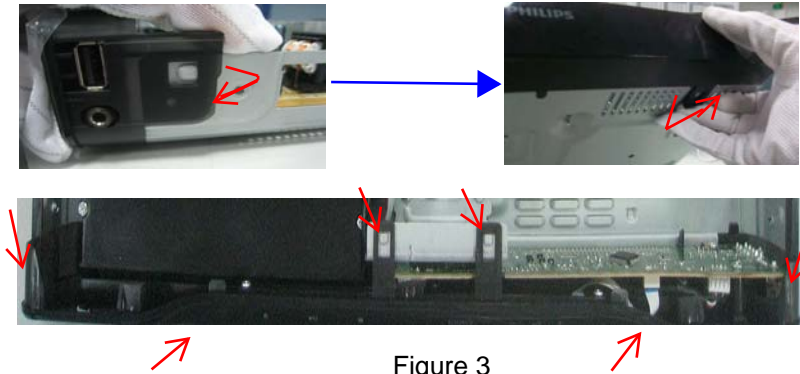


Figure 3

**Step4** : Dismantle Front Control Board, remove 3 screws and disconnect CON607 on Front Control Board .(Figure 4)

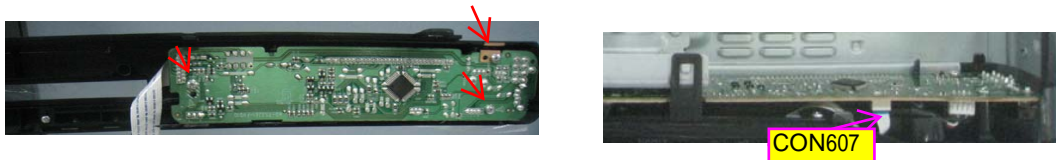


Figure 4

**Step5**: Dismantle Loader, disconnect the 3 connectors (XP5, XP7, XP10) aiming in the below figure, and remove 2 screws that connects the loader and the bottom cabinet. (Figure 5)



Figure 5

## Mechanical and Dismantling Instructions

### Dismantling Instruction

Detailed information please refer to the model set.

Step6: Dismantle Main Board, first disconnect 3 connectors (XP1, XP11, XP13), and then remove 7 screws. (Figure 6)

Step7: Dismantling Power Board, disconnect the connectors XP702 and CN501 on Power Board,then remove 5 screws.(Figure 6)

Step8: Dismantling Amplifier Board, remove 3 screws,XP8 and XP703 fromthe PCB. (Figure 6)

Step9: Dismantle AUX Input Board,remove 1 screw.(Figure 6)

Step10:Dismantle Fan,remove 2 screw .(Figure 6)



Figure 6

## Software upgrade

### A. Software upgrade method:

1. Set up a new folder and name it 'UPG' in the root of USB device.
2. Copy the file(HTS\_XXXX.bin)which you want to upgrade into the 'UPG' folder
3. Power on the BD Player, after it shows the UI, plug the USB device
4. Select the SETUP Menu, then find and select item 'Advanced'
5. In the item 'Advanced', find and select item 'Software Update', then select item 'USB', please follow the tip to complete the upgrade.

### B. Read out the software versions to confirm upgrading

Follow the steps shows below:

SETUP—>Advanced >Version Info.

While it shows the dialog box, we can see some information like below:

For example:

Model: HTSxxxx/xx

System SW:x.xx.xx

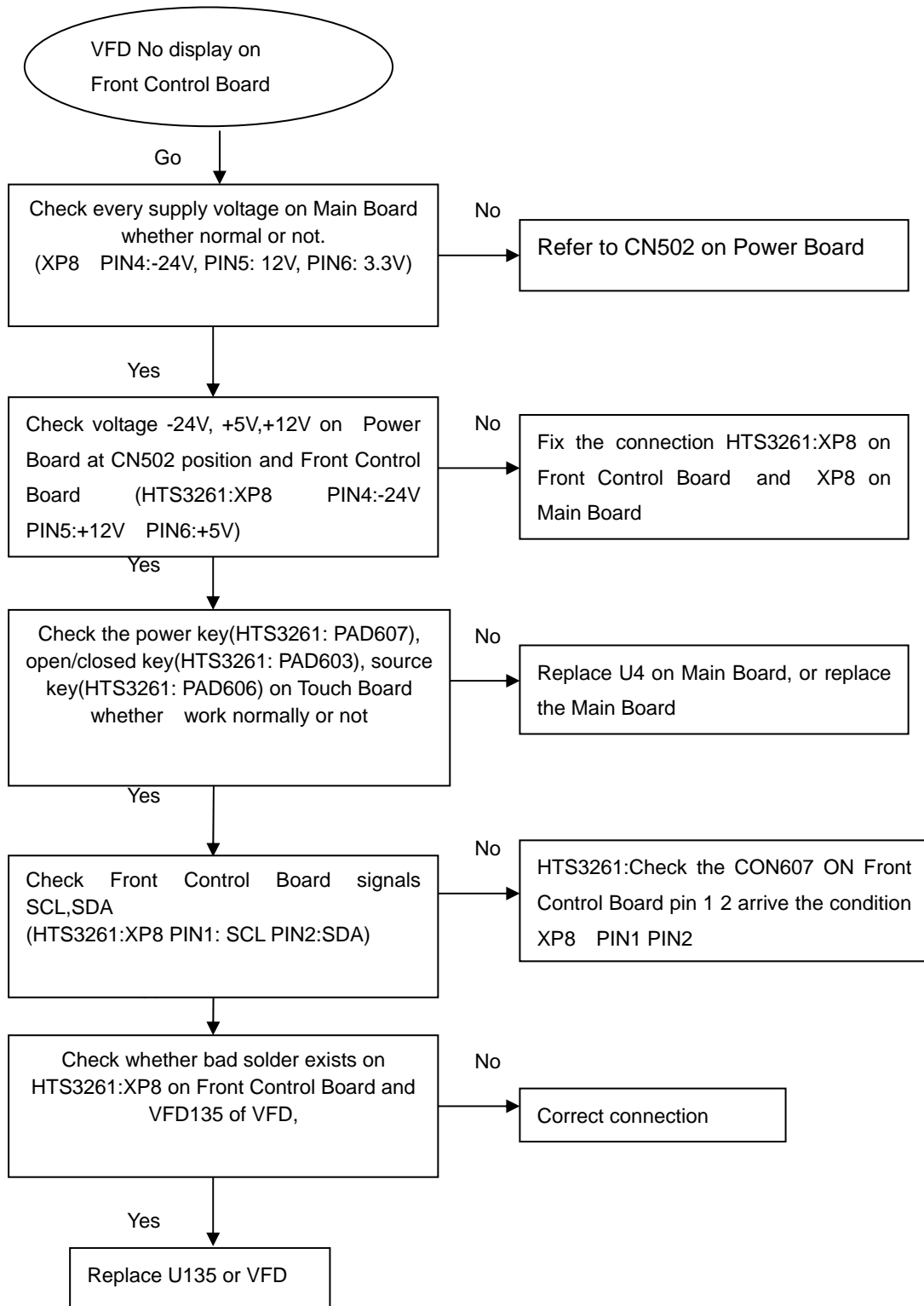
Subsystem SW:xx-xx-xx-xx

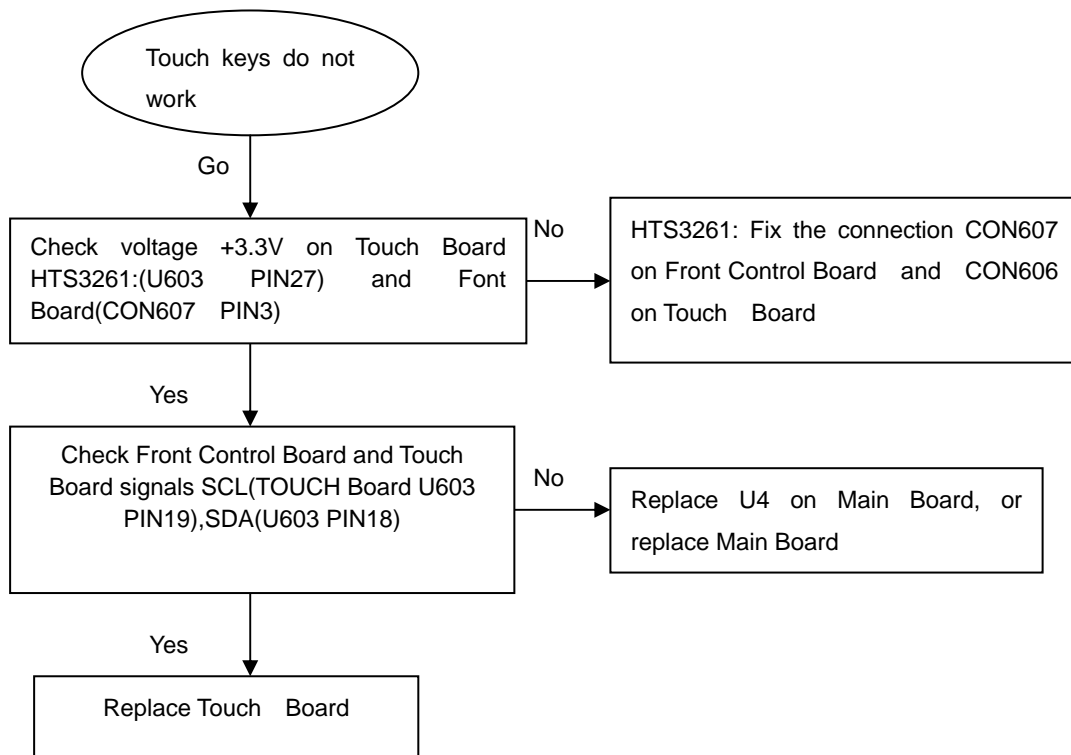
Ethernet MAC:xx:xx:xx:xx:xx;xx

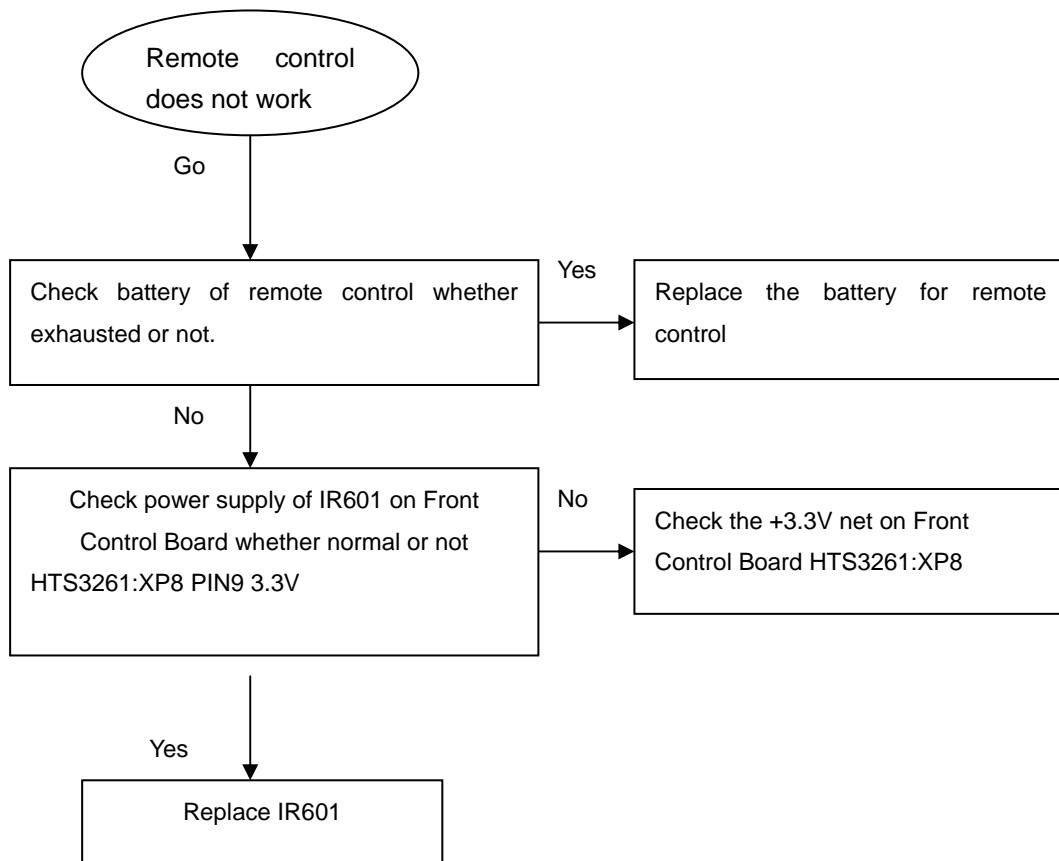
EUI64:xxxxxxxxxxxxxxxx

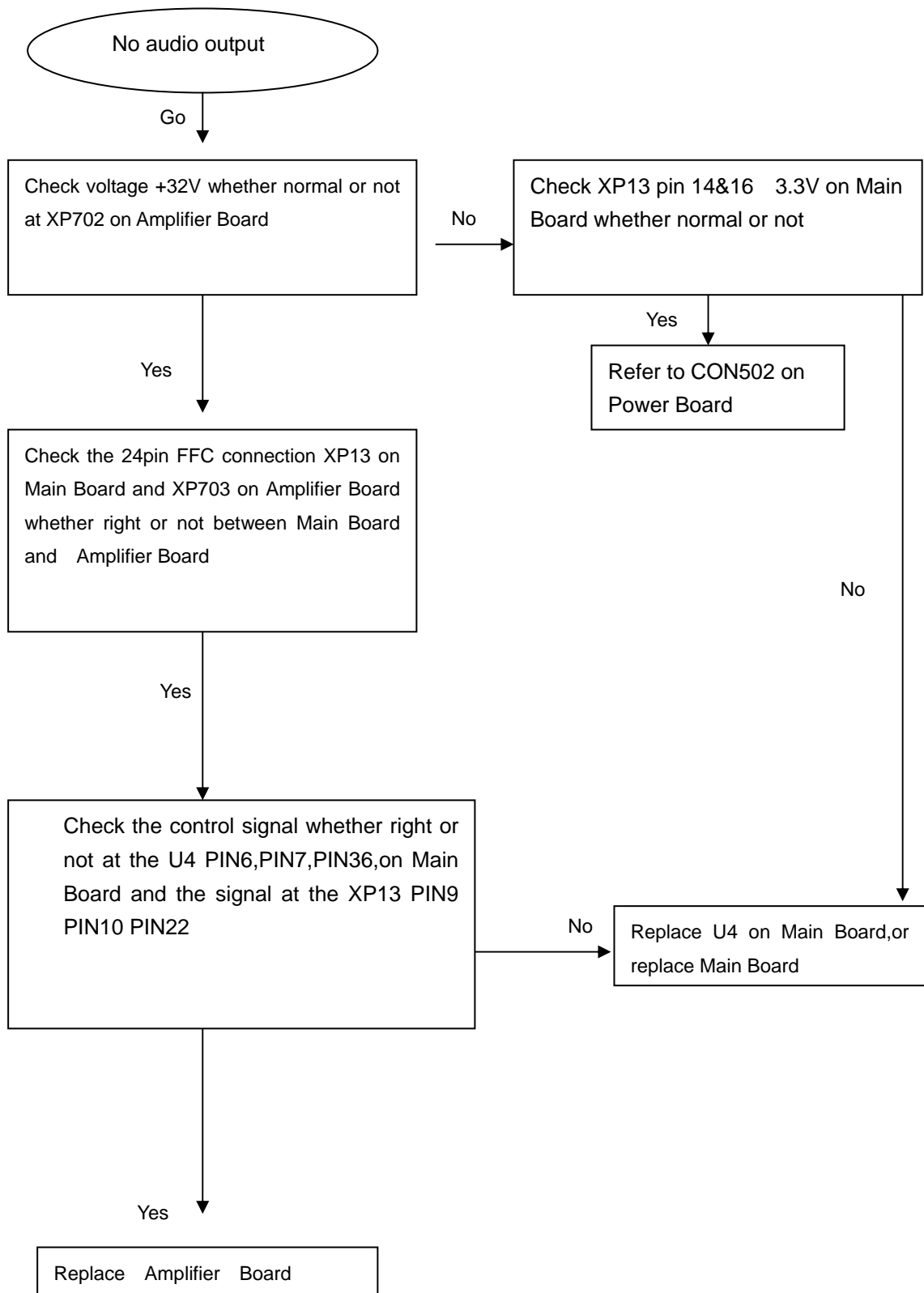
|   |
|---|
| Caution: The set must not be power off during upgrading, Otherwise the Main board will be damaged entirely. |
|---|

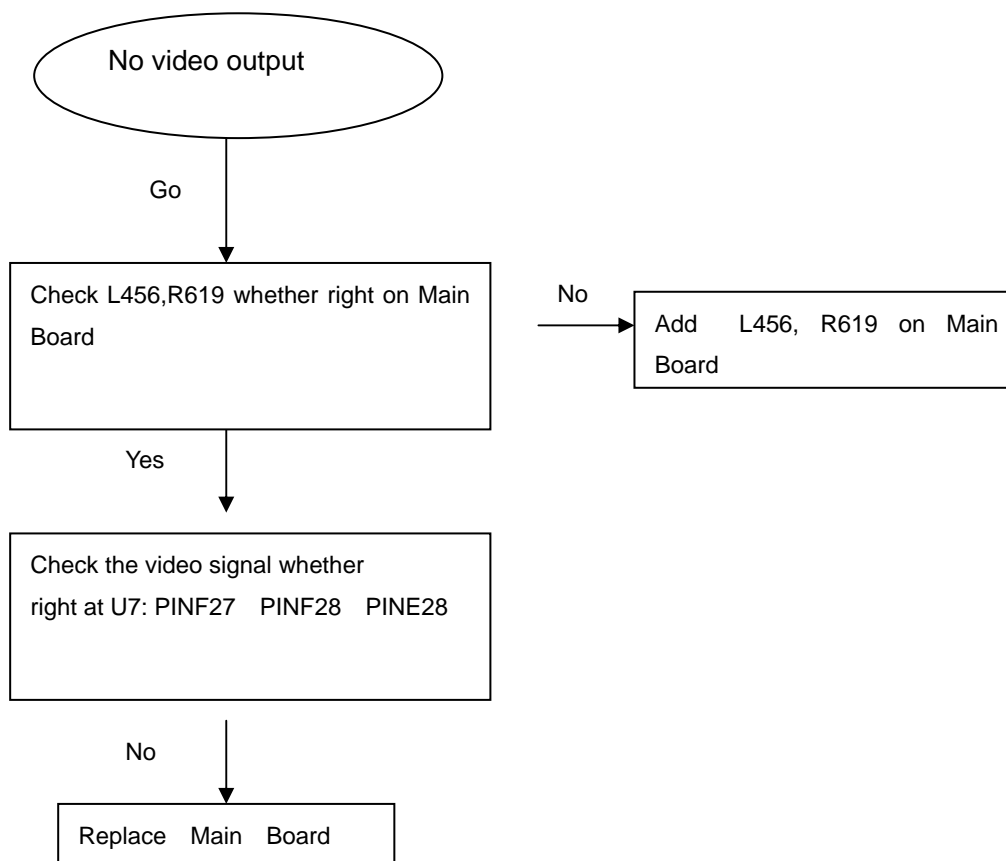
### VFD No display on Front Control Board



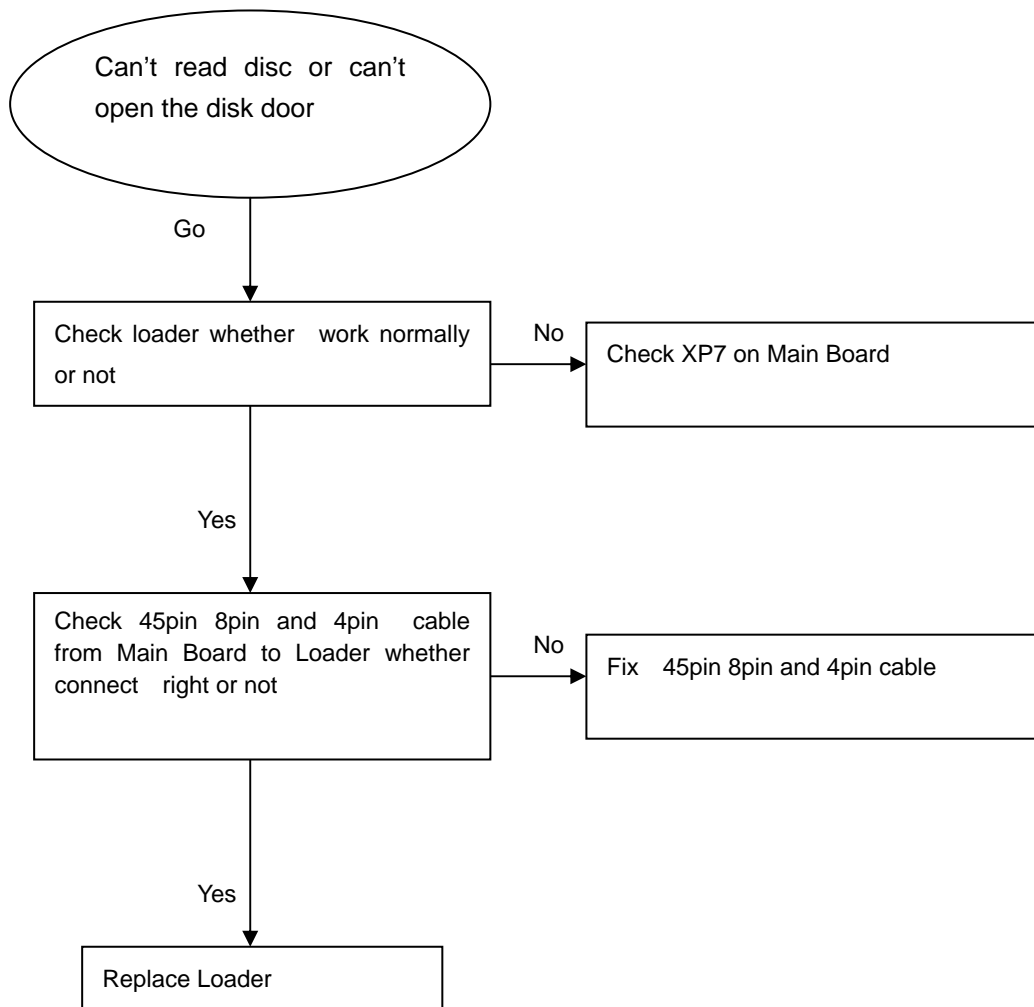
**Touch keys do not work**

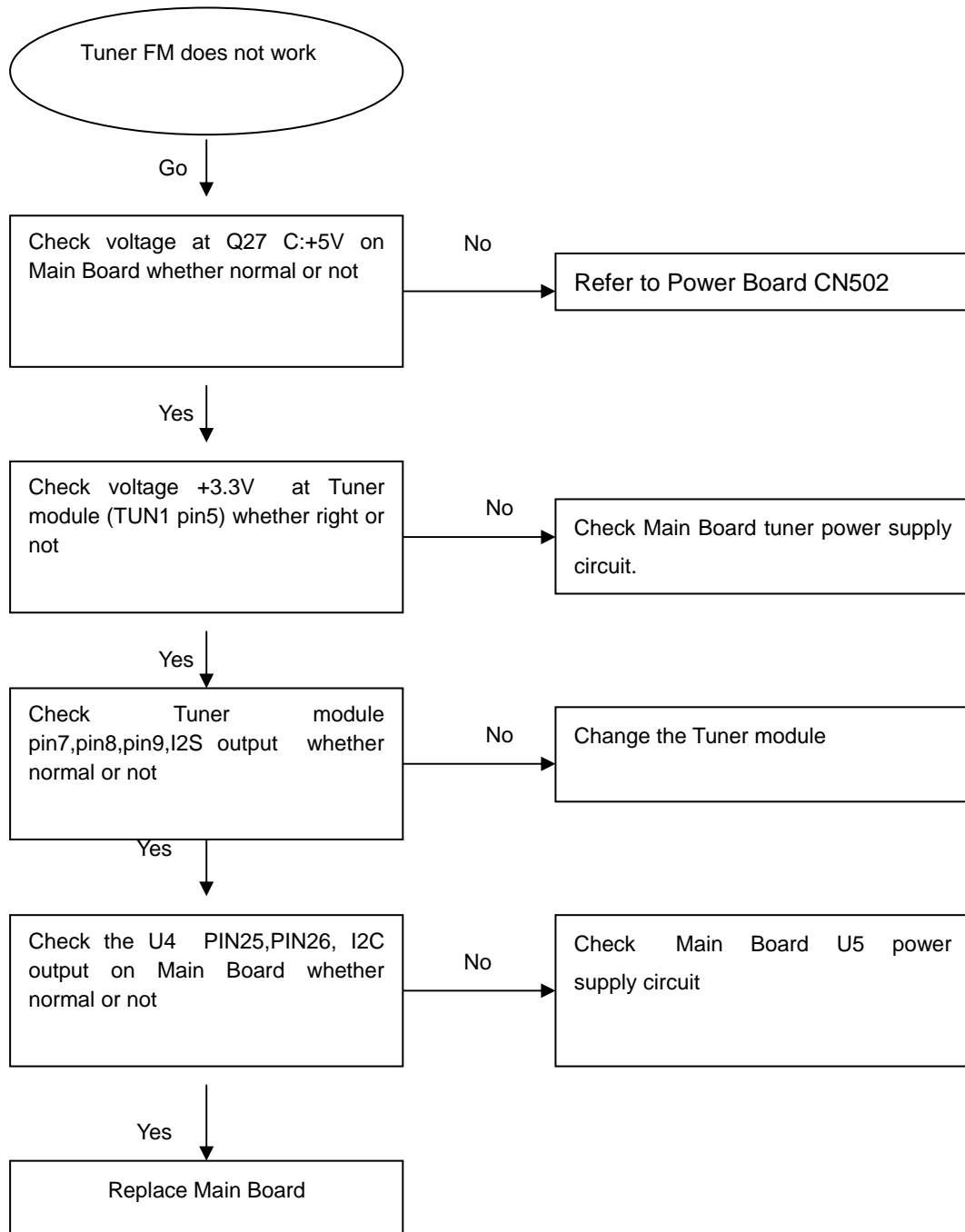
**Remote control does not work**

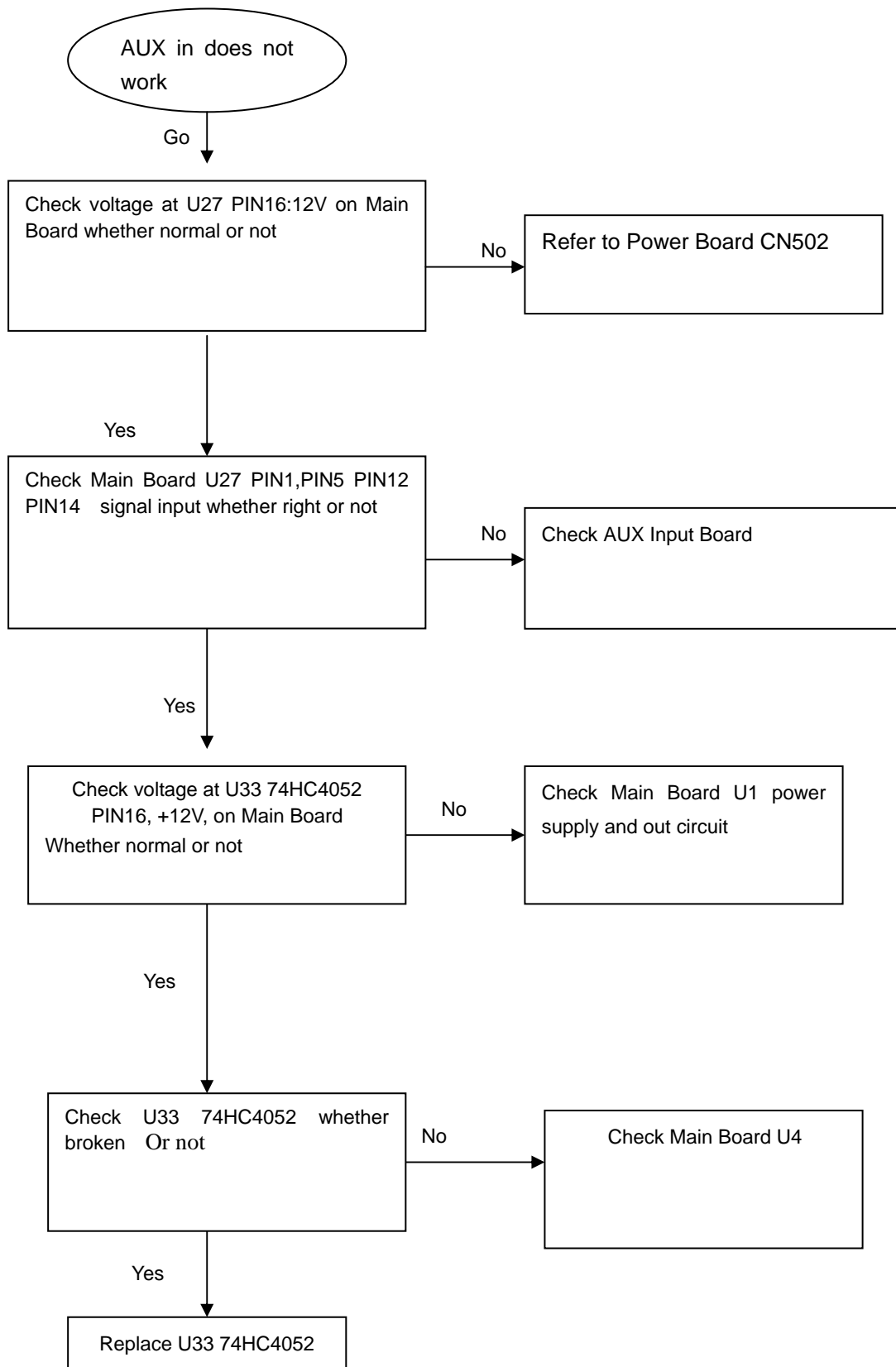
**No audio output**

**No video output**

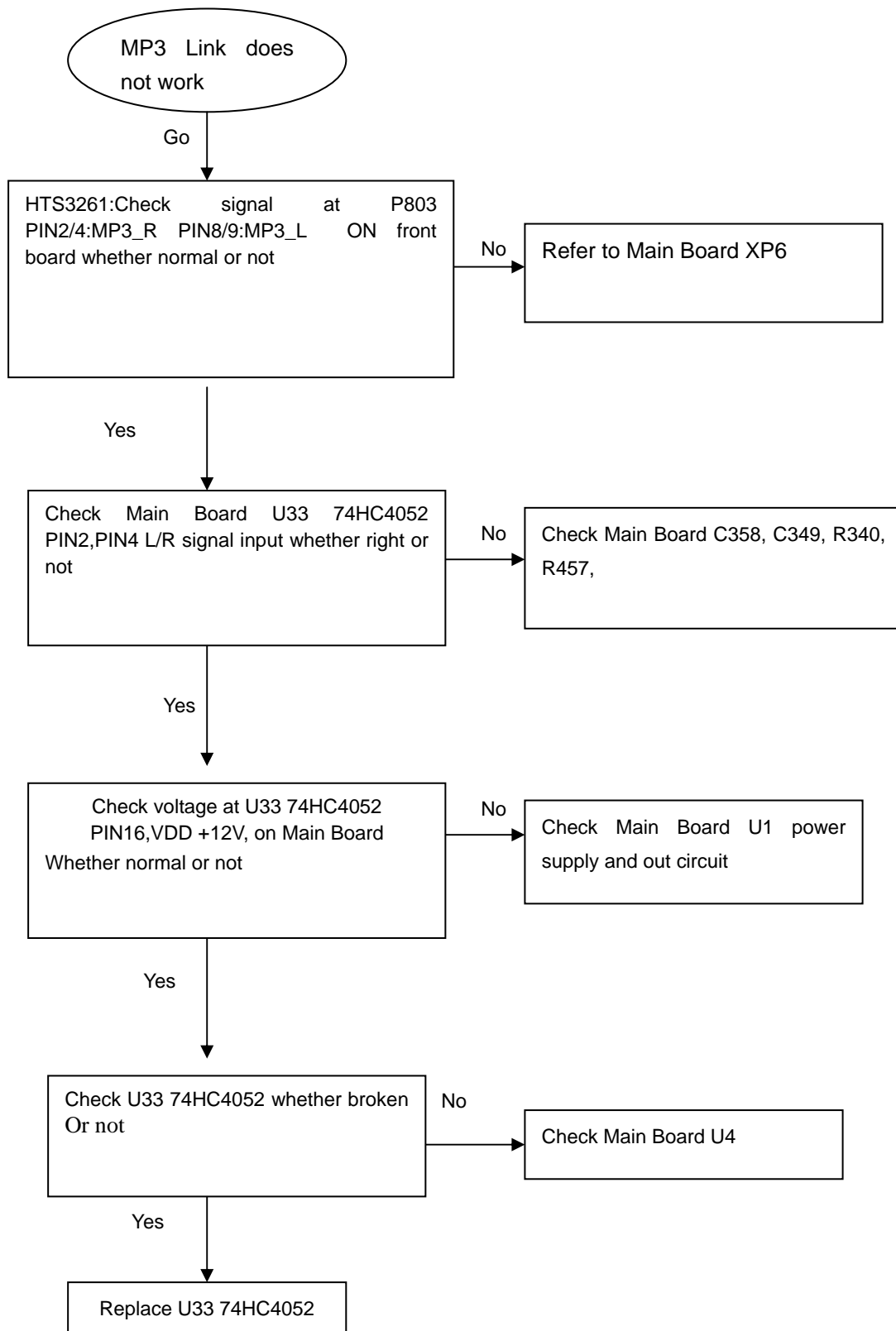


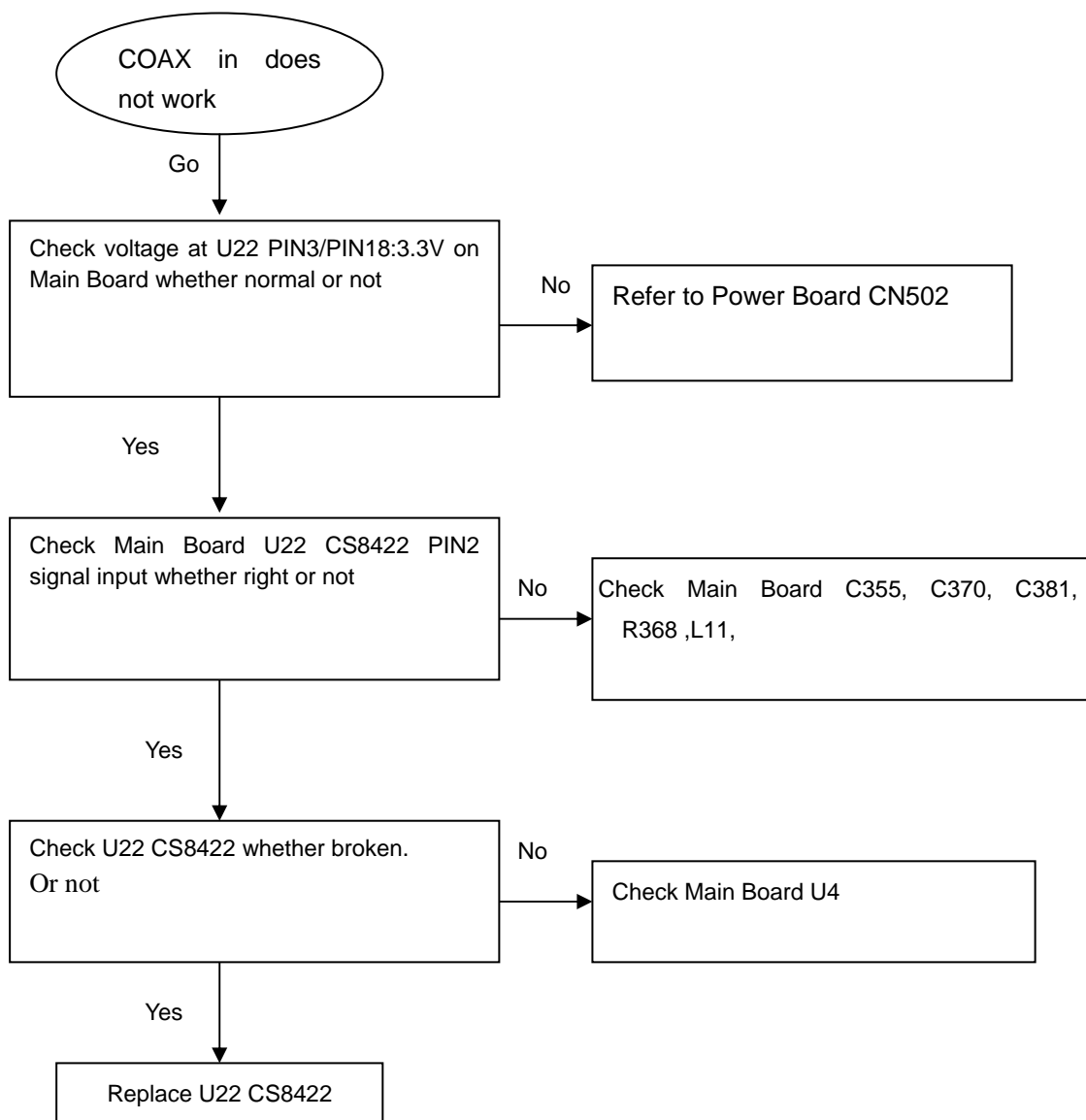
**Can't read disc or can't open the disk door**

**Tuner FM does not work**

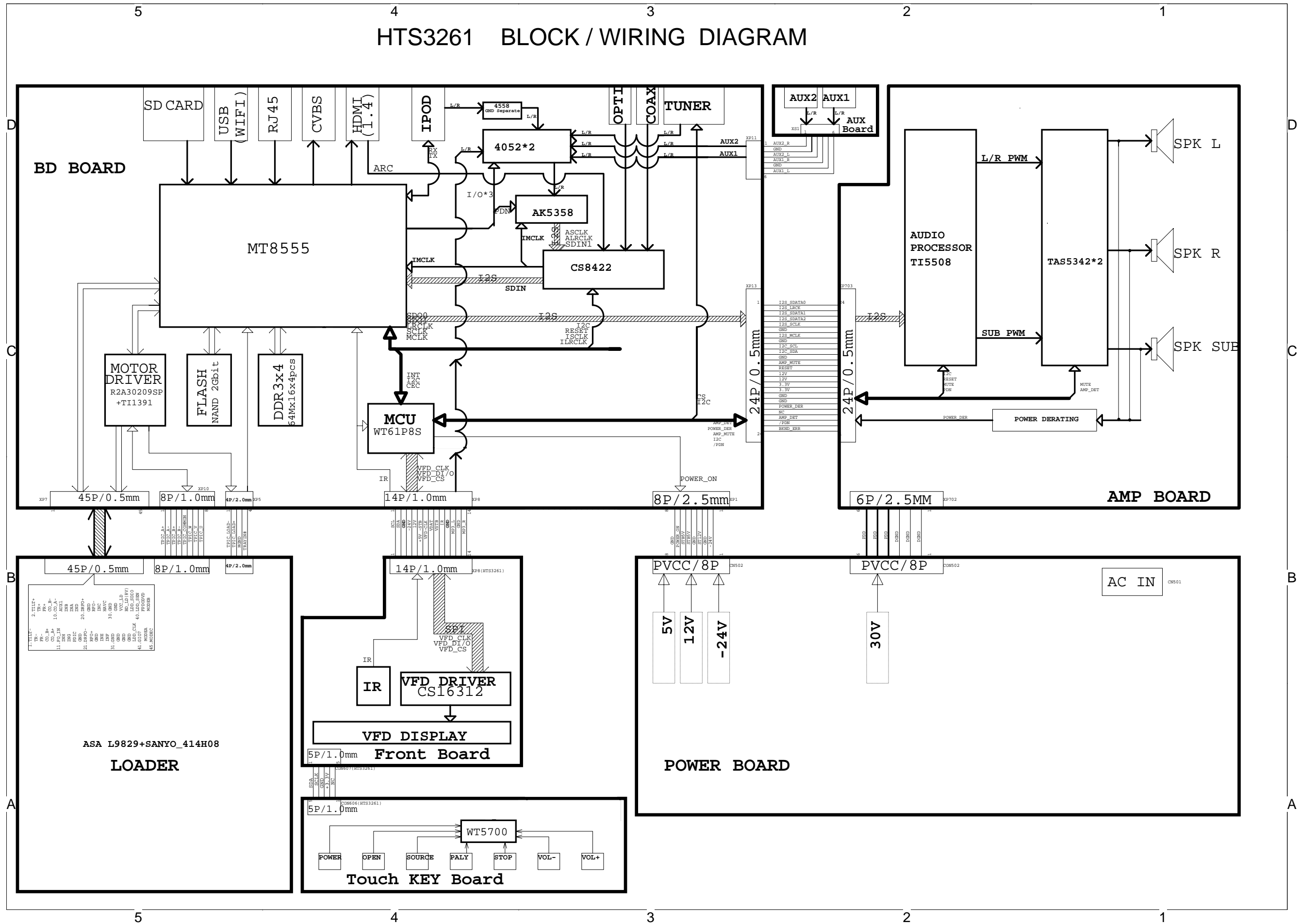
**AUX in does not work**

### MP3 Link does not work

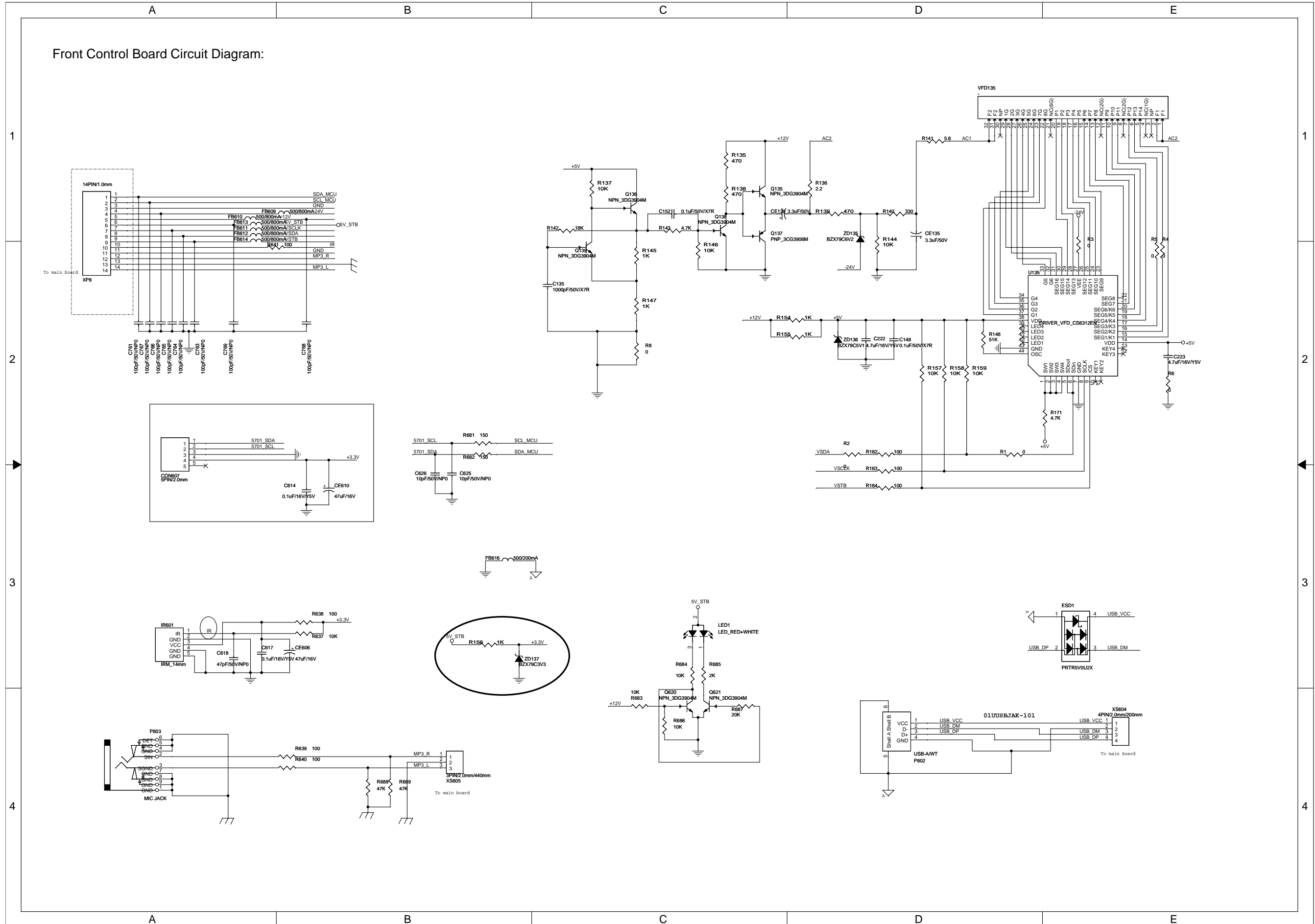


**COAX in does not work**

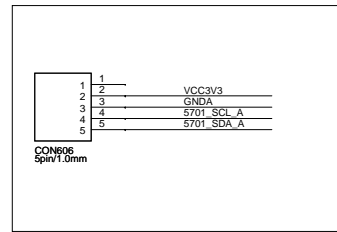
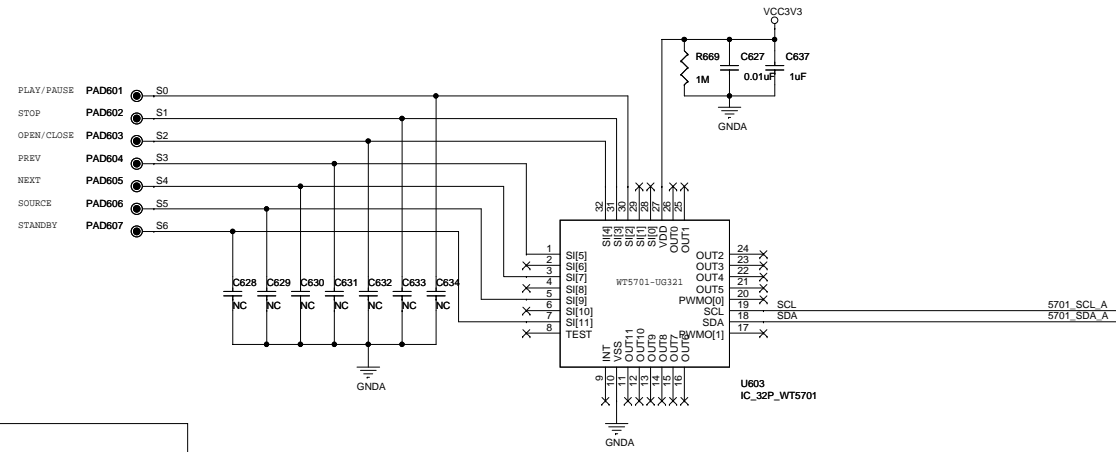
# HTS3261 BLOCK / WIRING DIAGRAM



### Front Control Board Circuit Diagram:

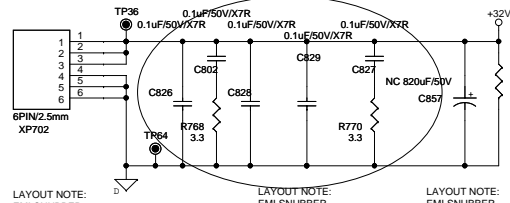
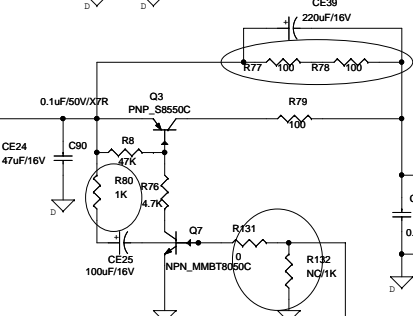
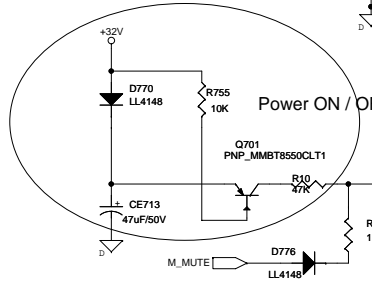
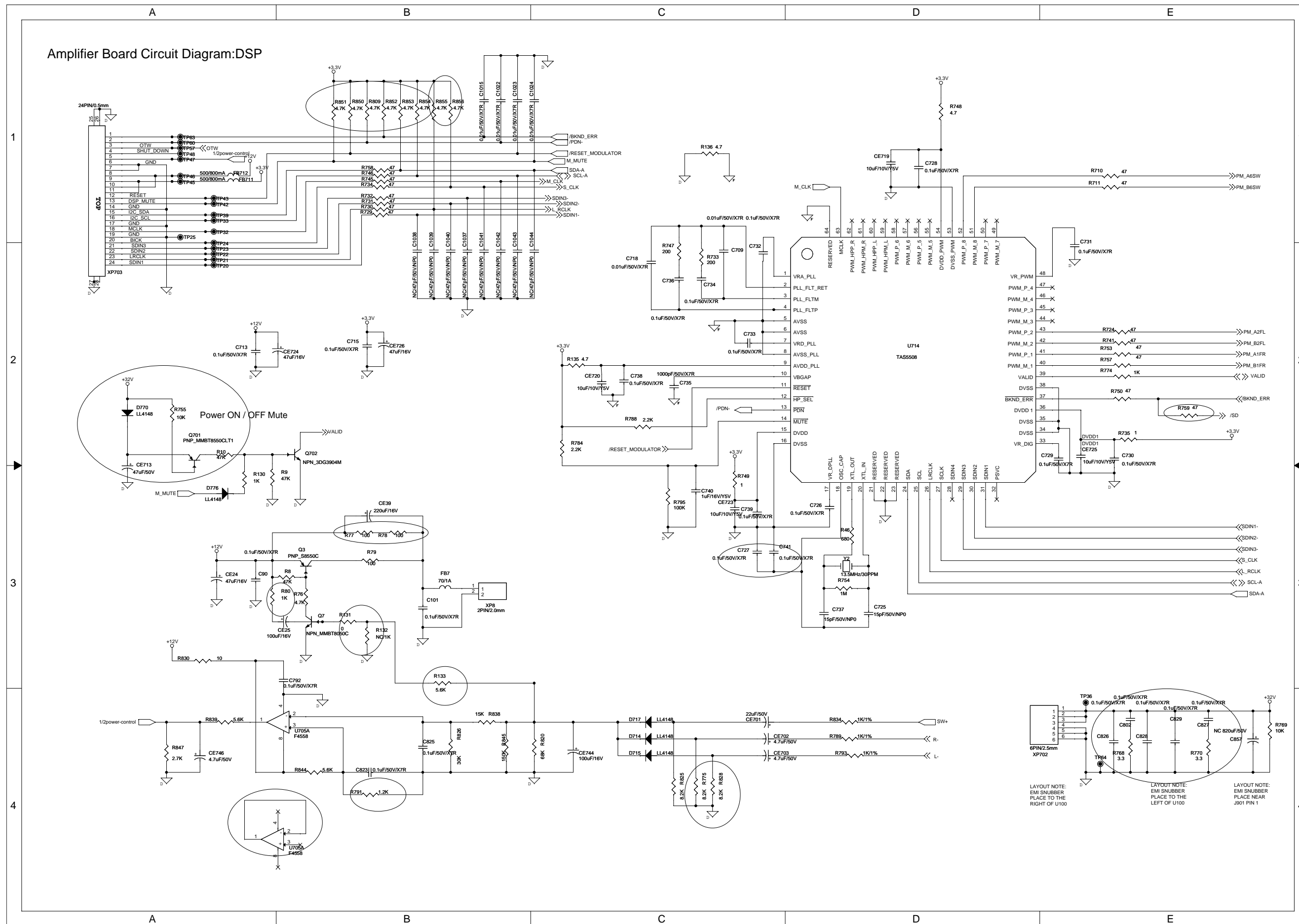


Touch board Circuit Diagram:



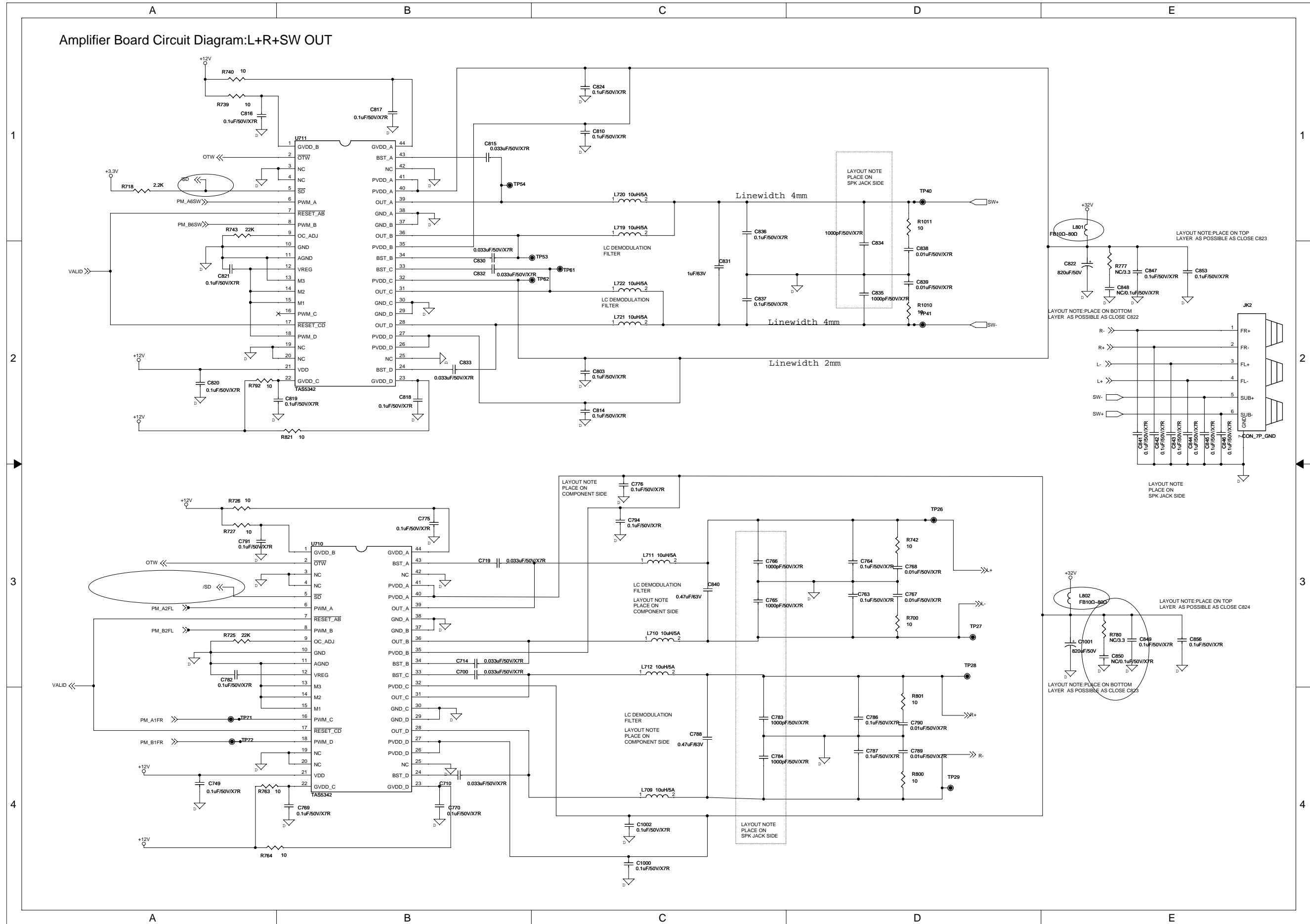


### Amplifier Board Circuit Diagram:DSP

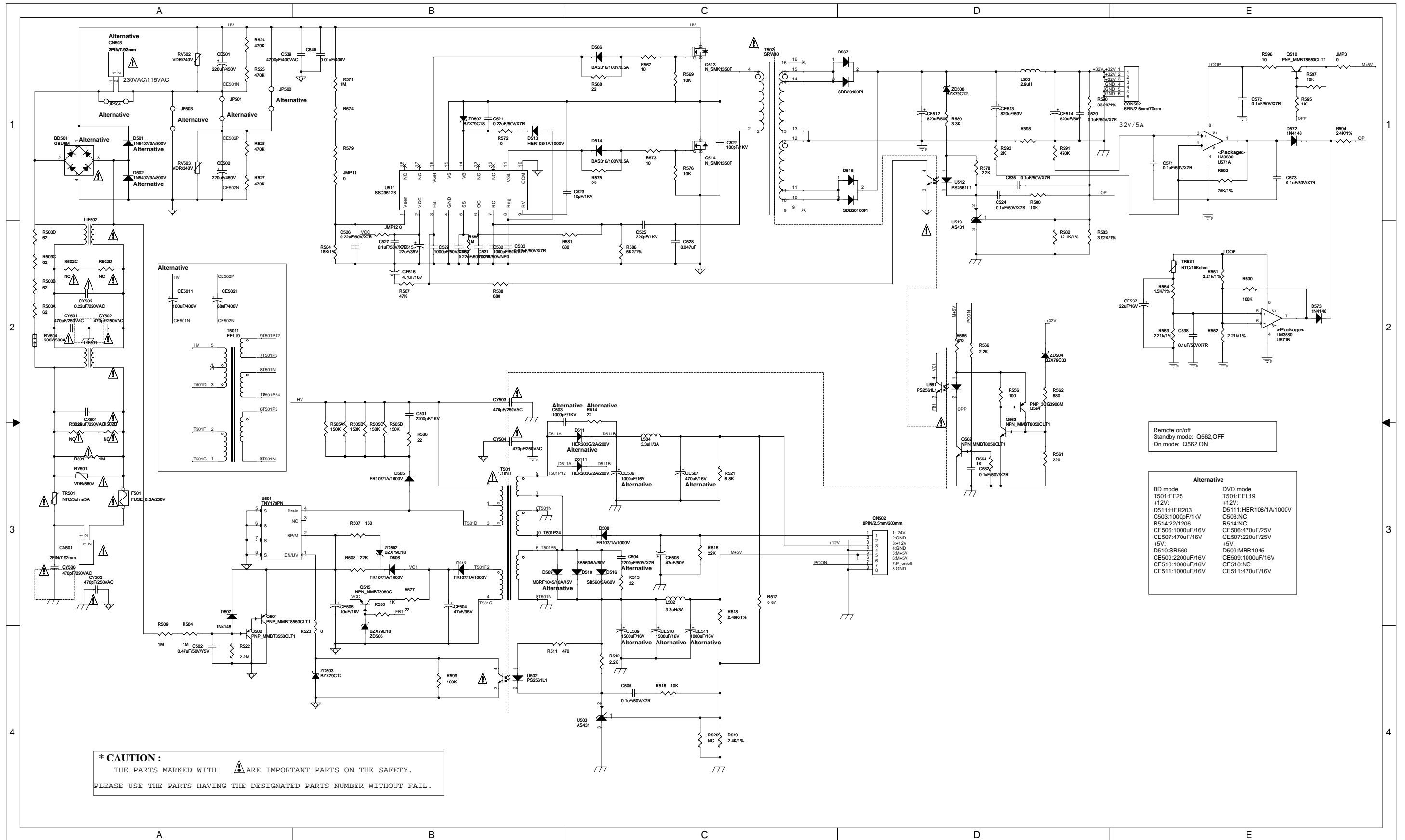


LAYOUT NOTE: EMI SNUBBER PLACE TO THE RIGHT OF U100  
 LAYOUT NOTE: EMI SNUBBER PLACE TO THE LEFT OF U100  
 LAYOUT NOTE: EMI SNUBBER PLACE NEAR J901 PIN 1

### Amplifier Board Circuit Diagram:L+R+SW OUT



Power Board Circuit Diagram:

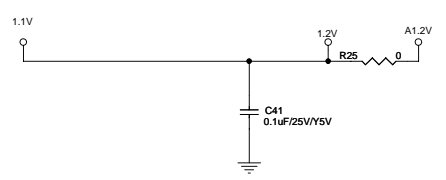
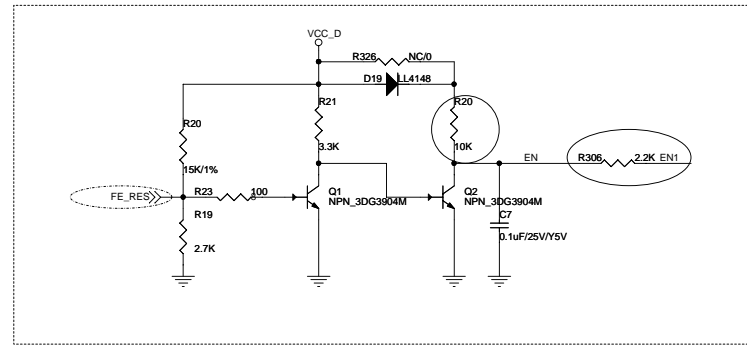
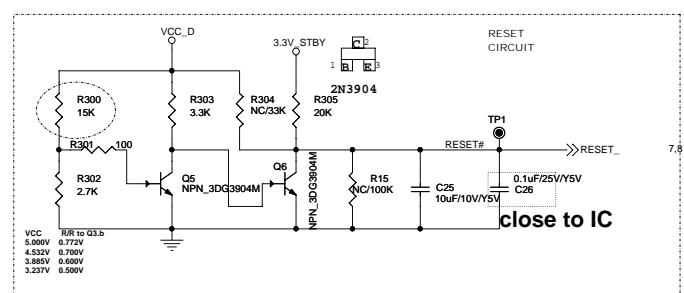
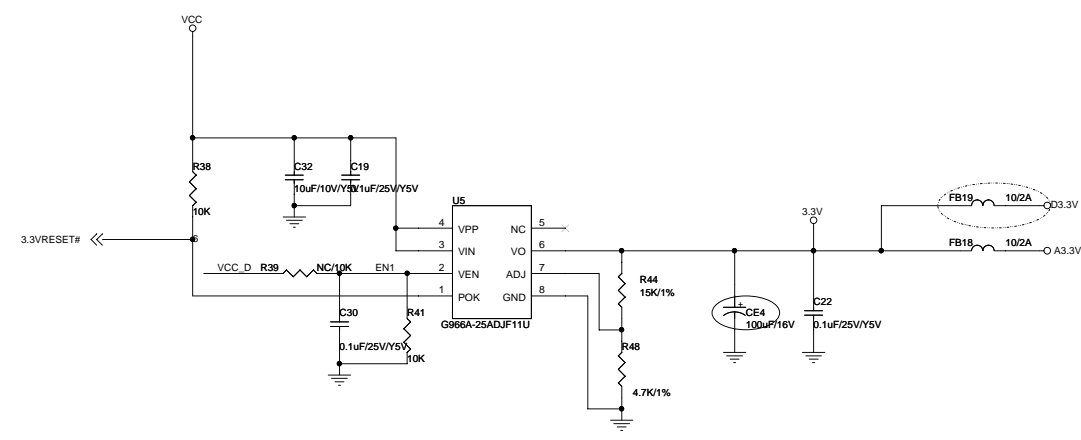
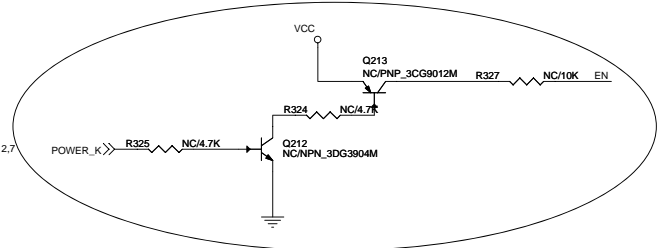
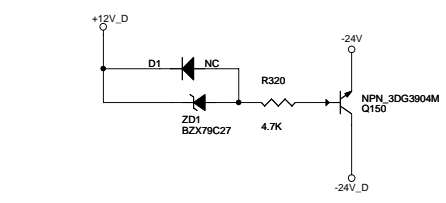
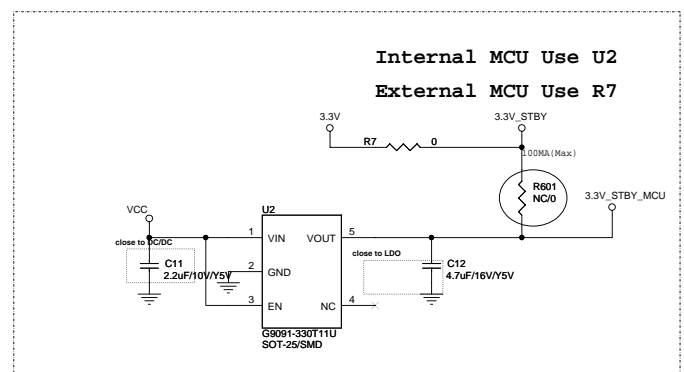
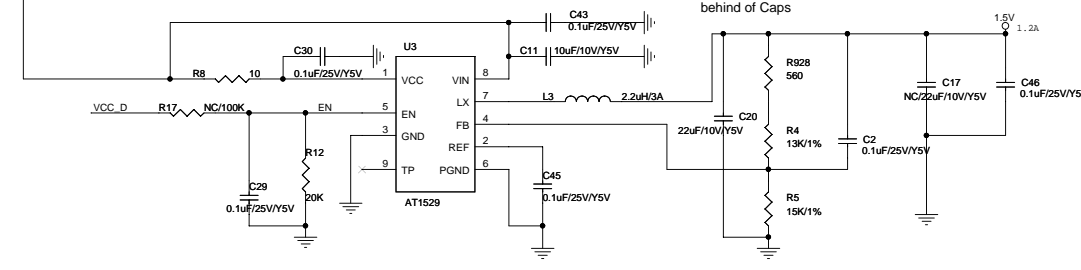
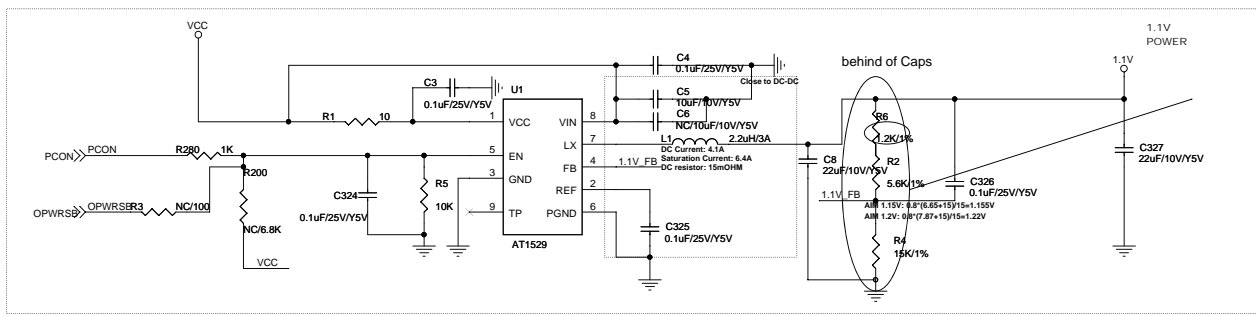
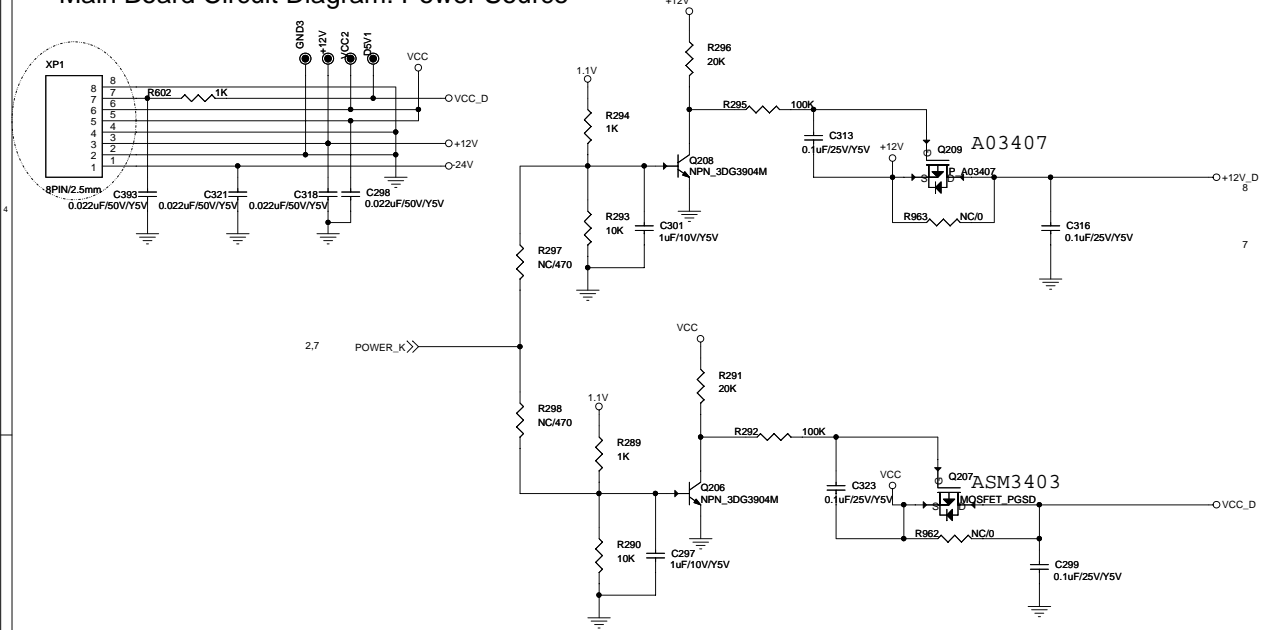


Remote on/off  
Standby mode: Q562, OFF  
On mode: Q562 ON

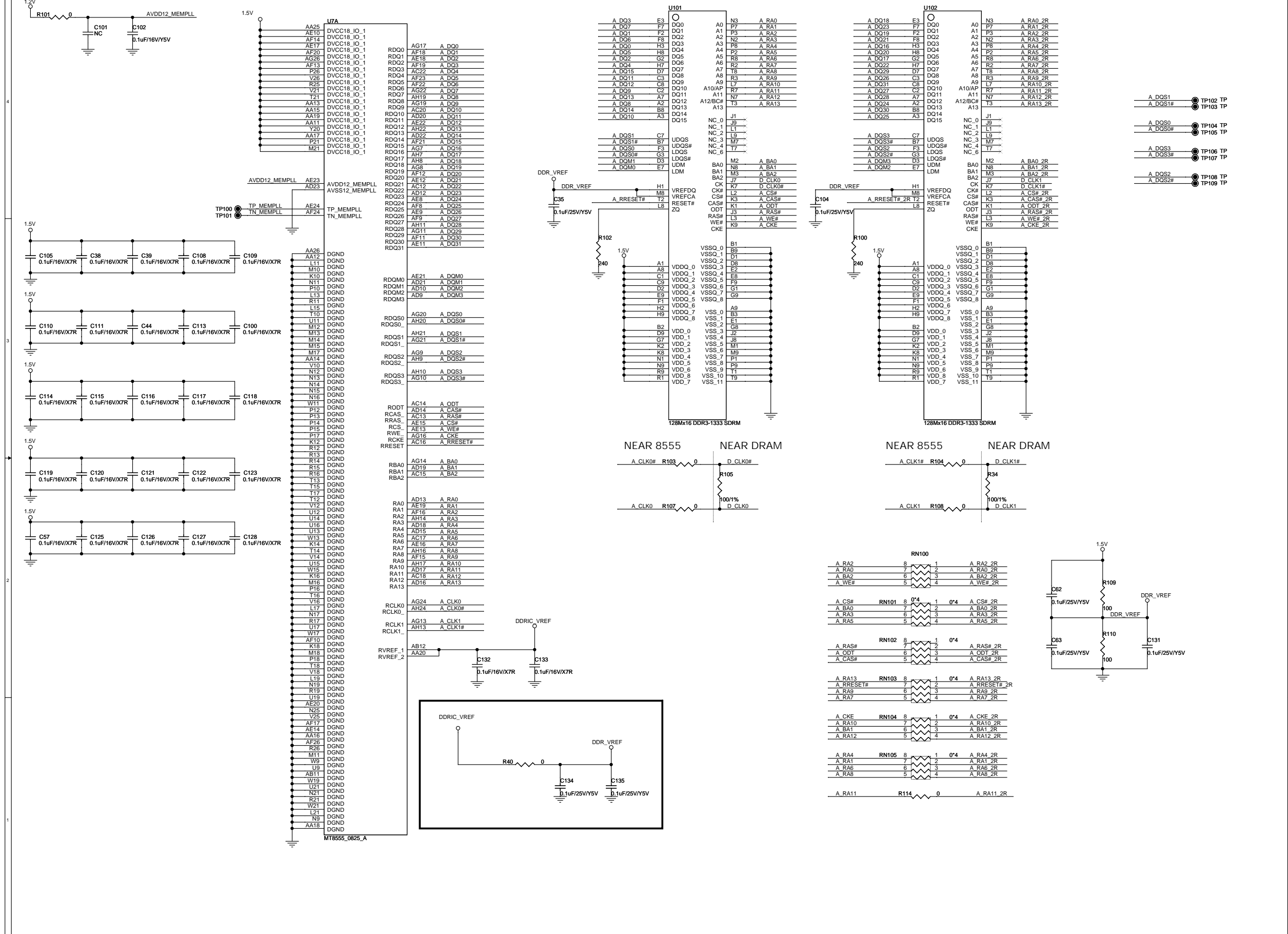
| Alternative      |                       |
|------------------|-----------------------|
| BD mode          | DVD mode              |
| T501:EF25        | T501:EEL19            |
| +12V:            | +12V:                 |
| D511:HER203      | D5111:HER108/1A/1000V |
| C503:1000pF/1kV  | C503:NC               |
| R514:22/1206     | R514:NC               |
| CE506:1000uF/16V | CE506:470uF/25V       |
| CE507:470uF/16V  | CE507:220uF/25V       |
| +5V:             | +5V:                  |
| D510:SR560       | D509:MBR1045          |
| CE509:2200uF/16V | CE509:1000uF/16V      |
| CE510:1000uF/16V | CE510:NC              |
| CE511:1000uF/16V | CE511:470uF/16V       |

**\* CAUTION :**  
THE PARTS MARKED WITH ARE IMPORTANT PARTS ON THE SAFETY.  
PLEASE USE THE PARTS HAVING THE DESIGNATED PARTS NUMBER WITHOUT FAIL.

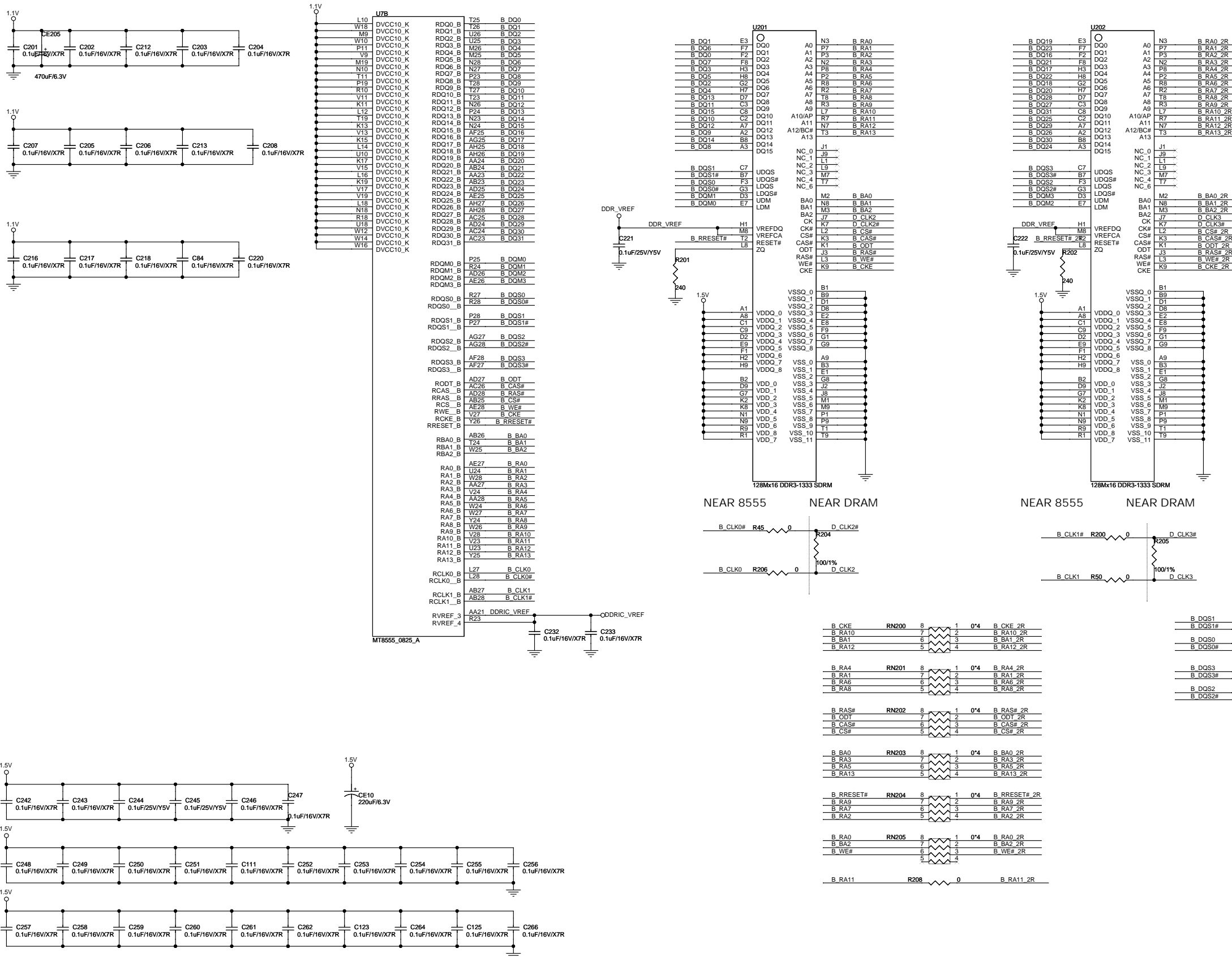
### Main Board Circuit Diagram: Power Source



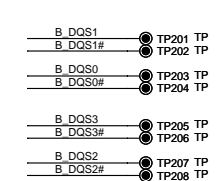
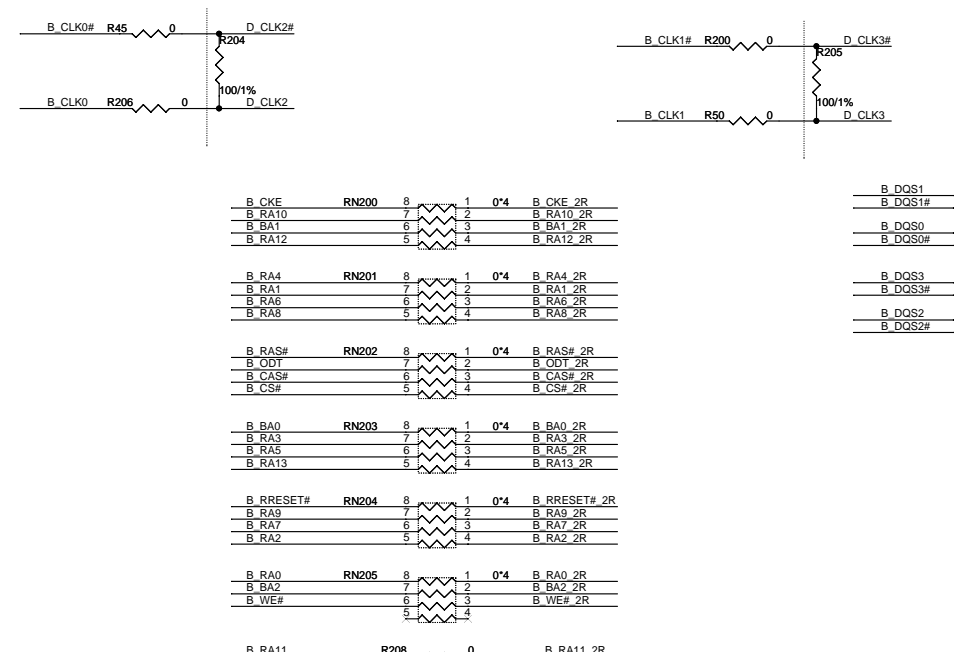
# Main Board Circuit Diagram: MT8555\_DDR\_PART 1



Main Board Circuit Diagram: MT8555\_DDR\_PART 2

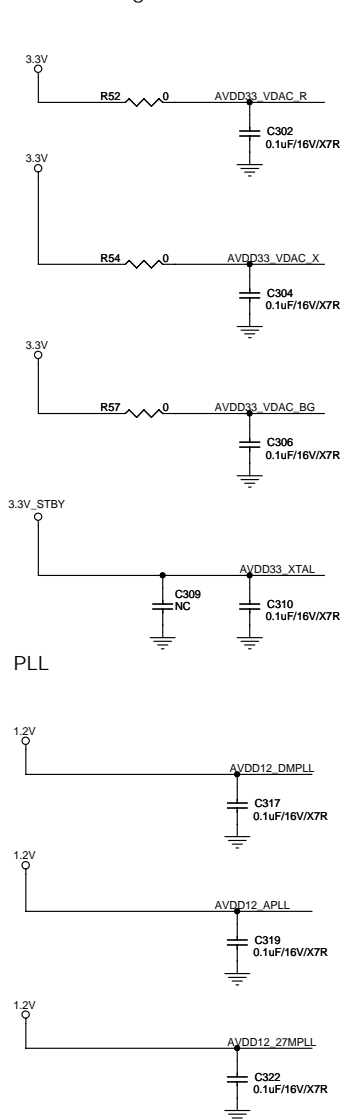


NEAR 8555 NEAR DRAM



### Main Board Circuit Diagram: MT8555\_HDMI\_OUTPUT

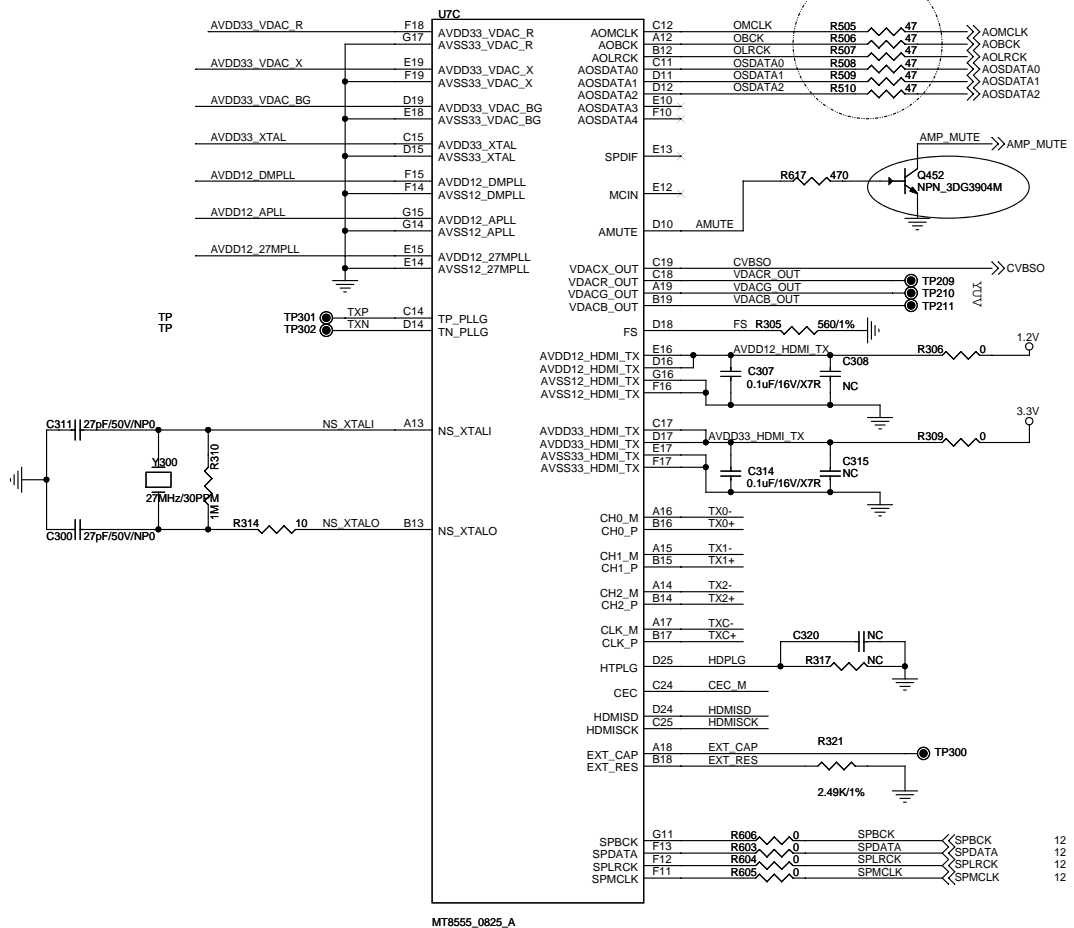
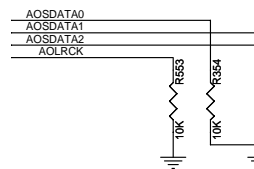
#### 3.3V Analog Power



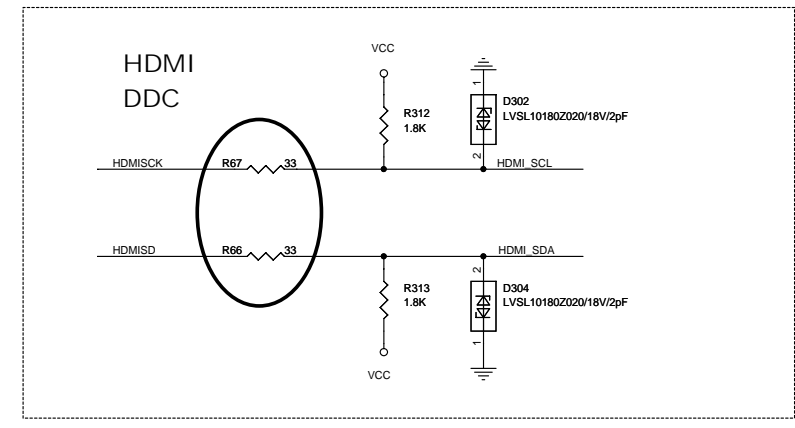
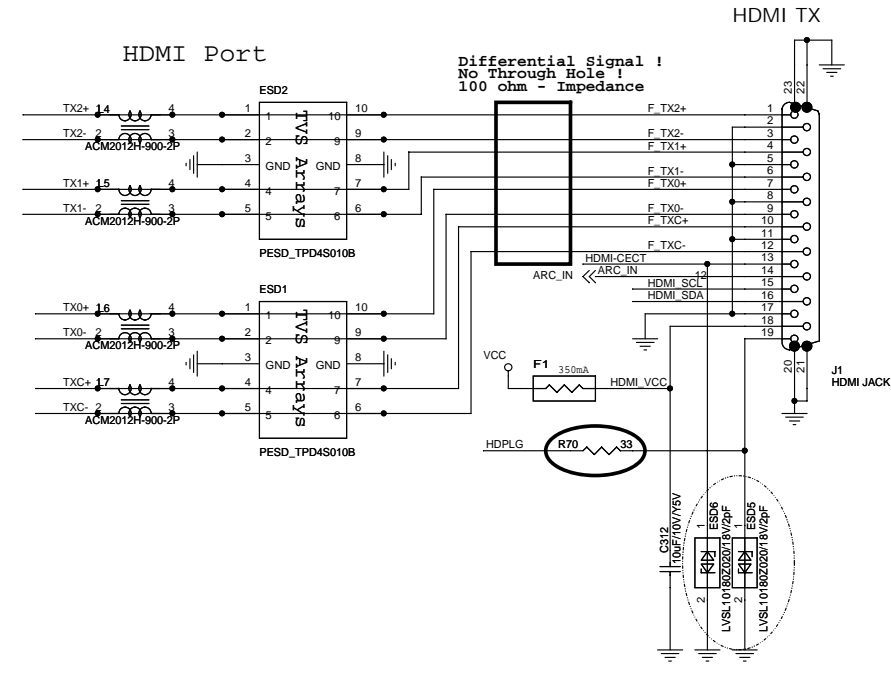
#### PLL

For PLL testing

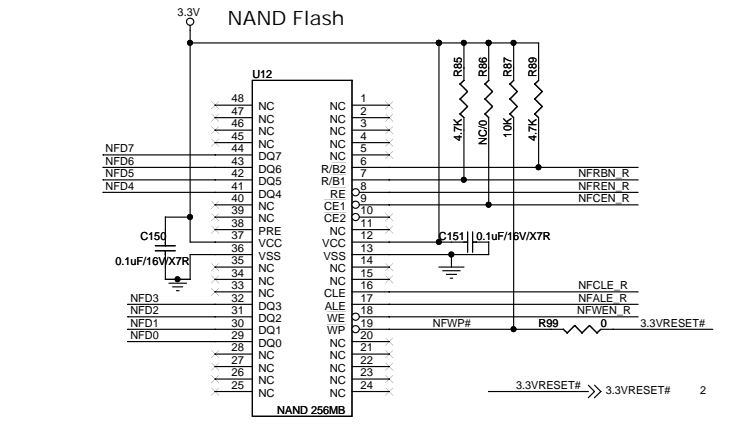
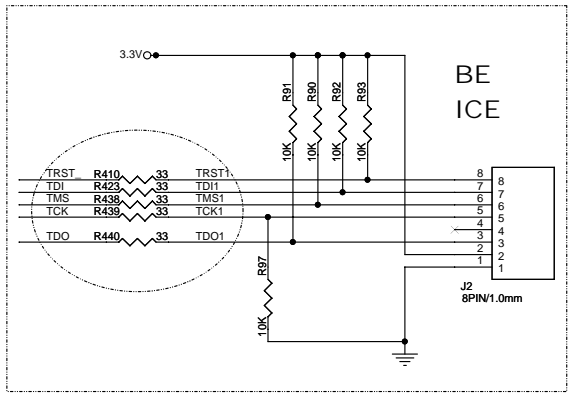
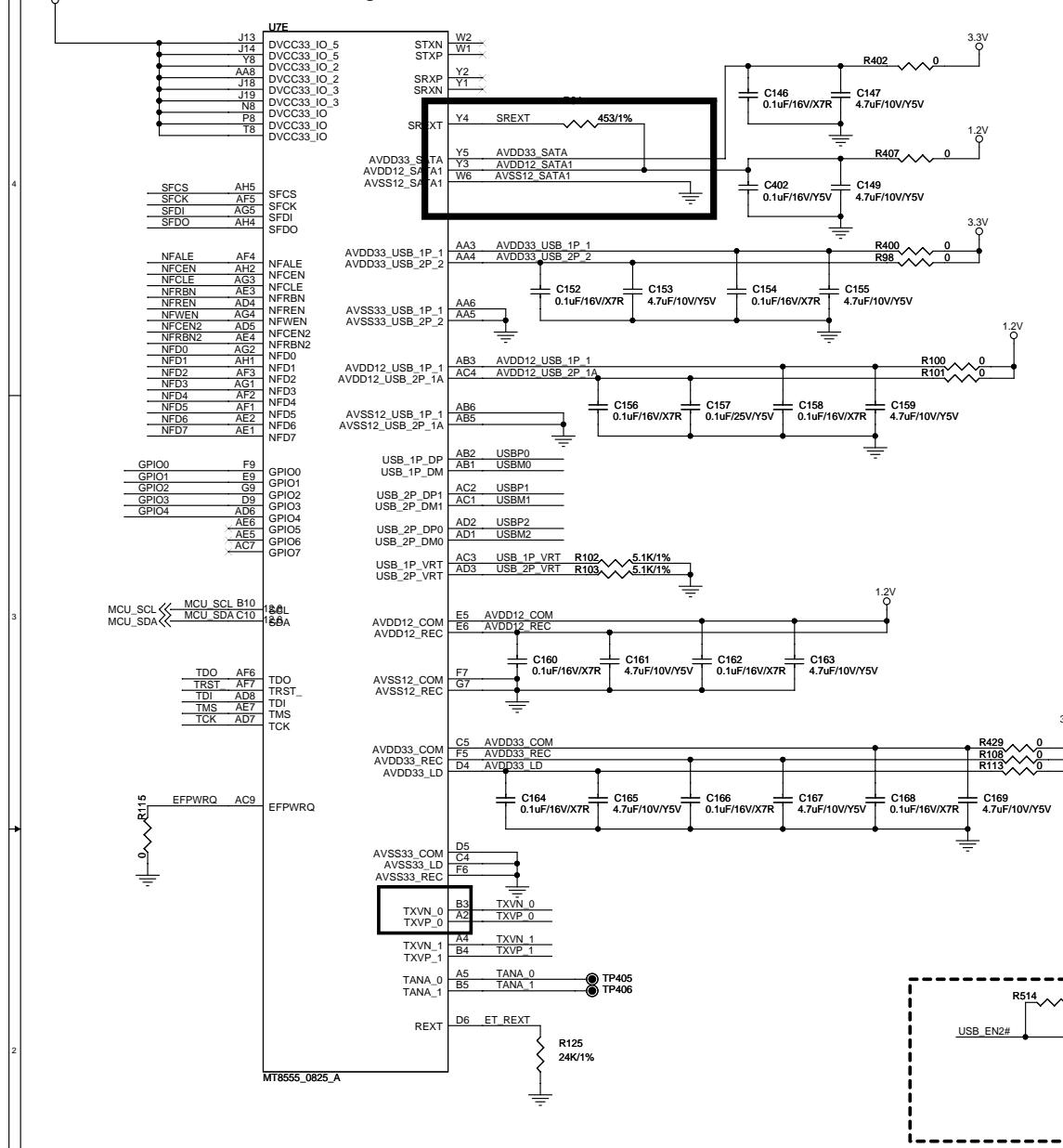
#### Reserved hardware trap



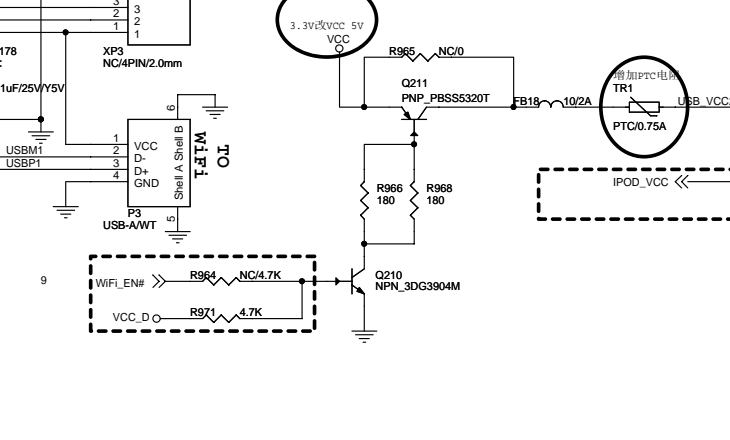
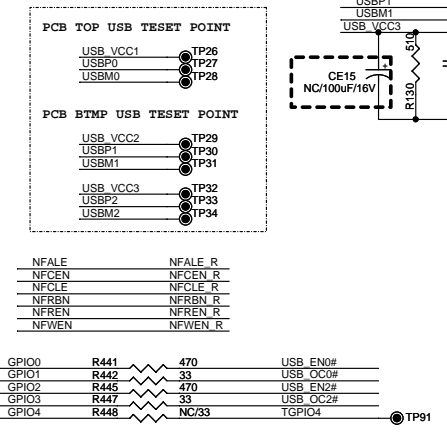
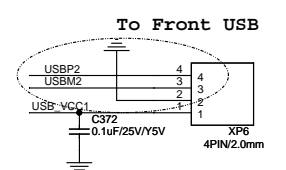
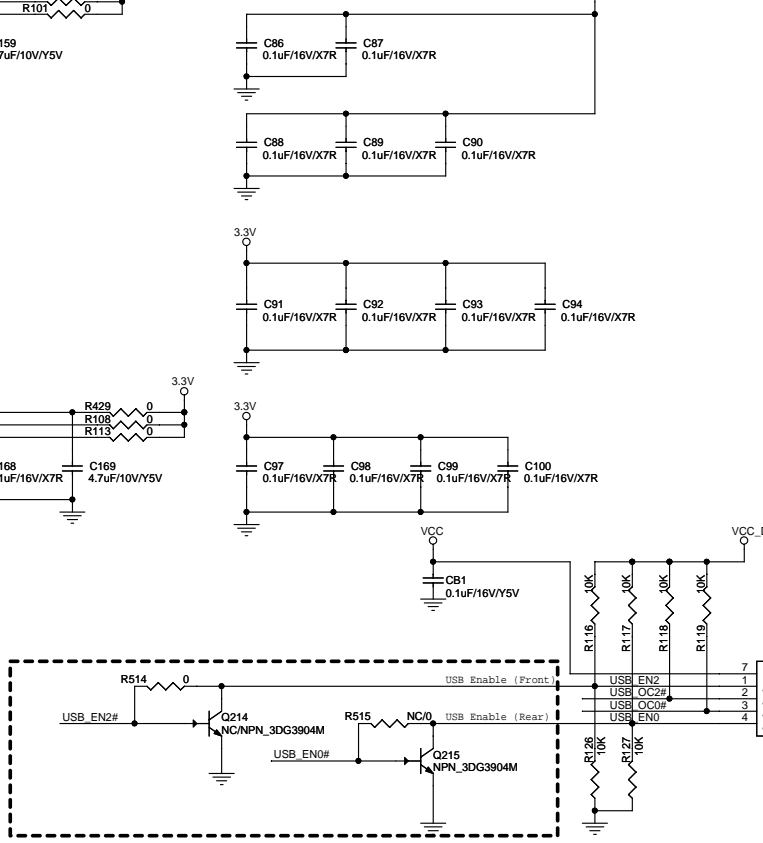
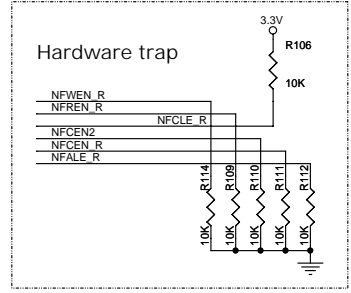
MT8555\_0825\_A



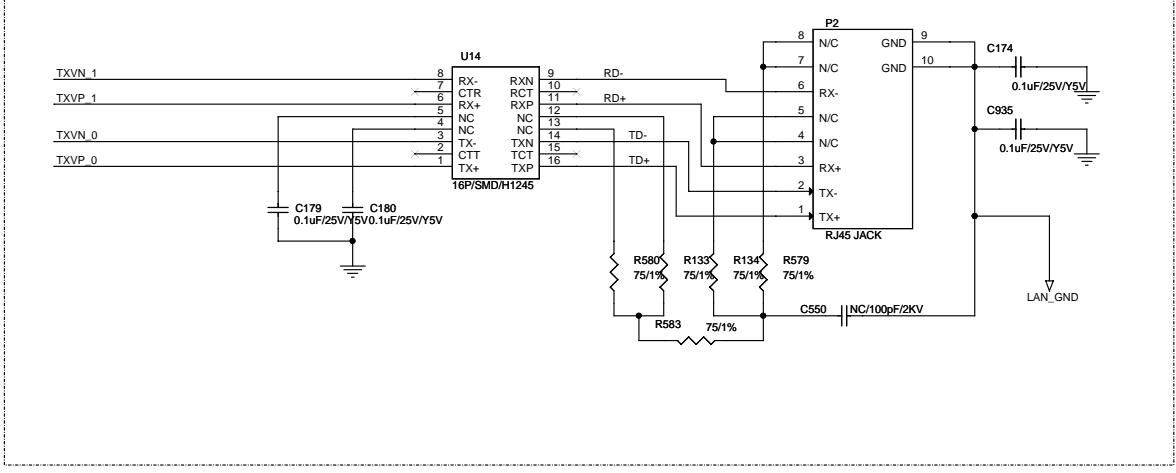
### Main Board Circuit Diagram: MT8555-Flash



|        |         |         |   |
|--------|---------|---------|---|
| SFCS   | SD DAT2 | SD DAT2 | 9 |
| SFCK   | SD DAT3 | SD DAT3 | 9 |
| SFD1   | SD DAT1 | SD DAT1 | 9 |
| SFDO   | SD DAT0 | SD DAT0 | 9 |
| NFCEN2 | SD CLK  | SD CLK  | 9 |
| NFRBN2 | SD CMD  | SD CMD  | 9 |

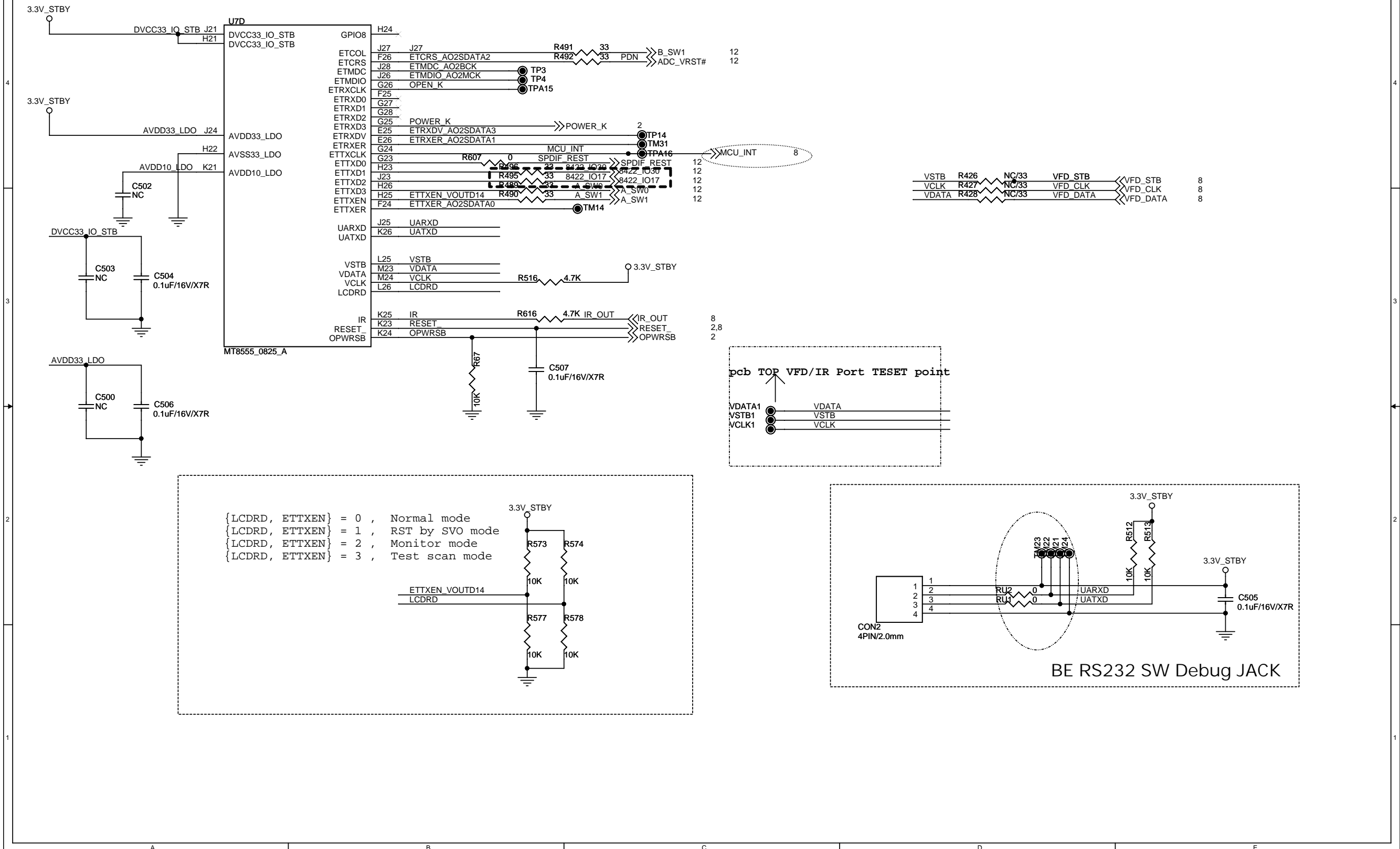


### ETHERNET PHY

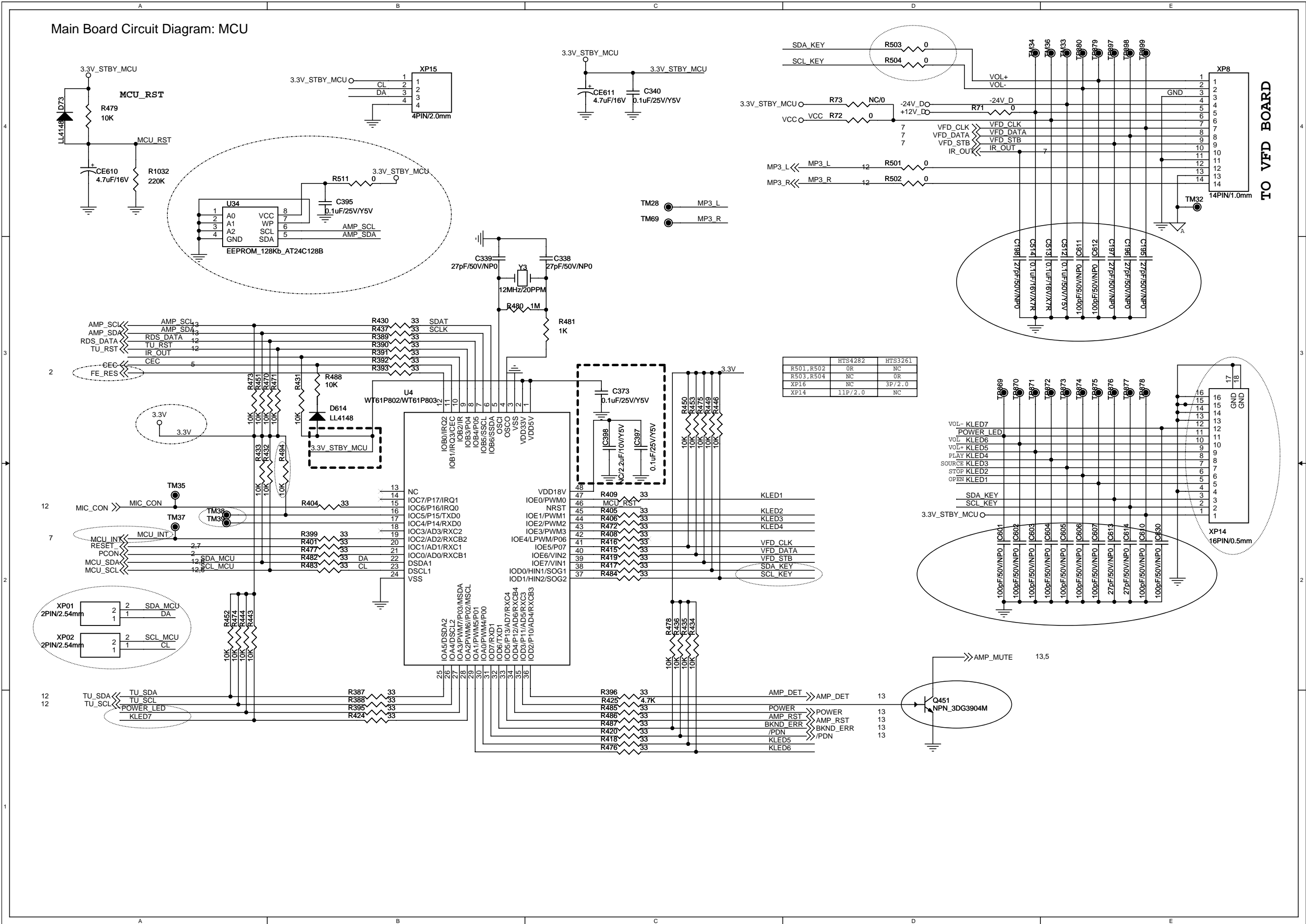


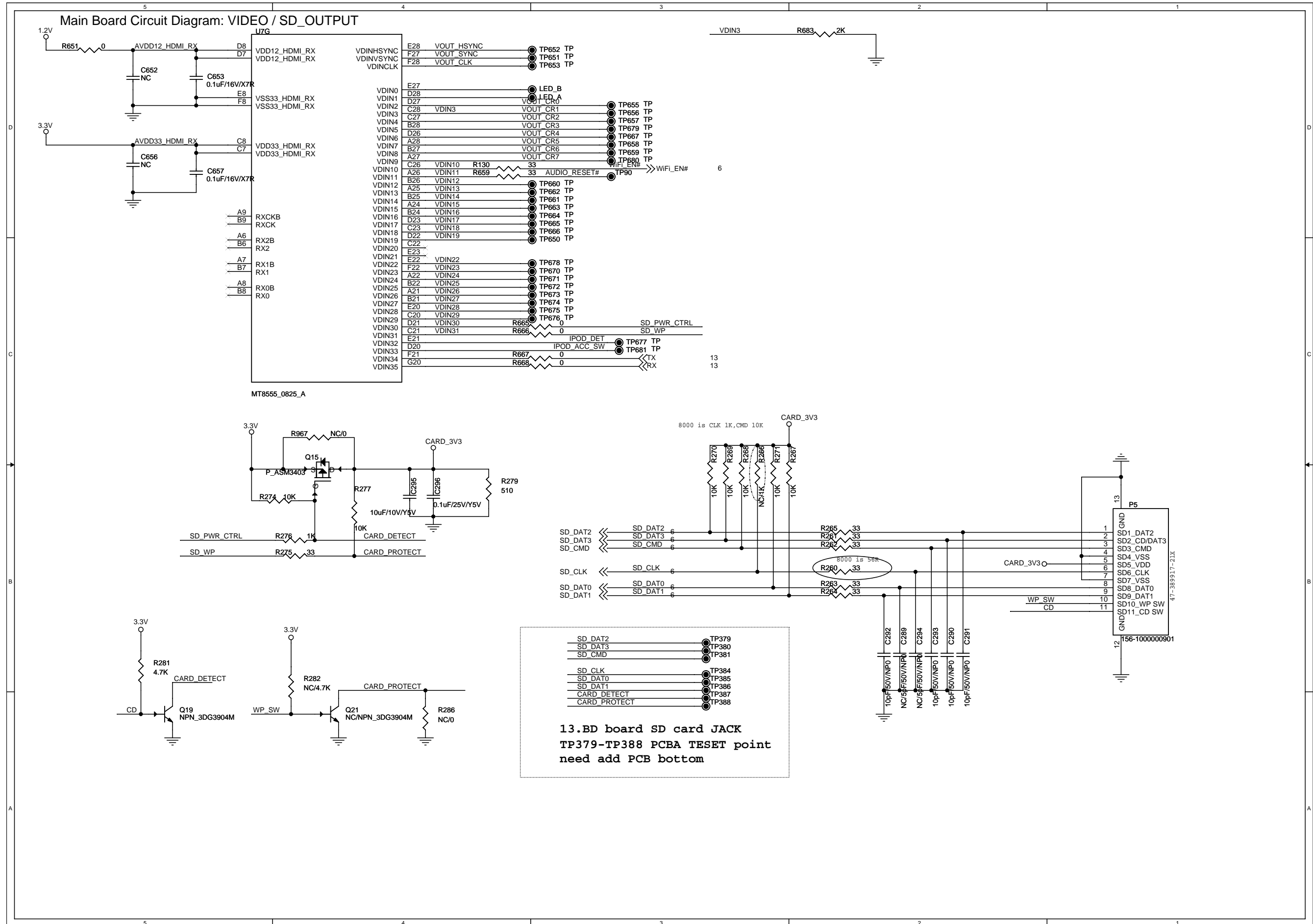


Main Board Circuit Diagram: MT8555-VFD/ IR

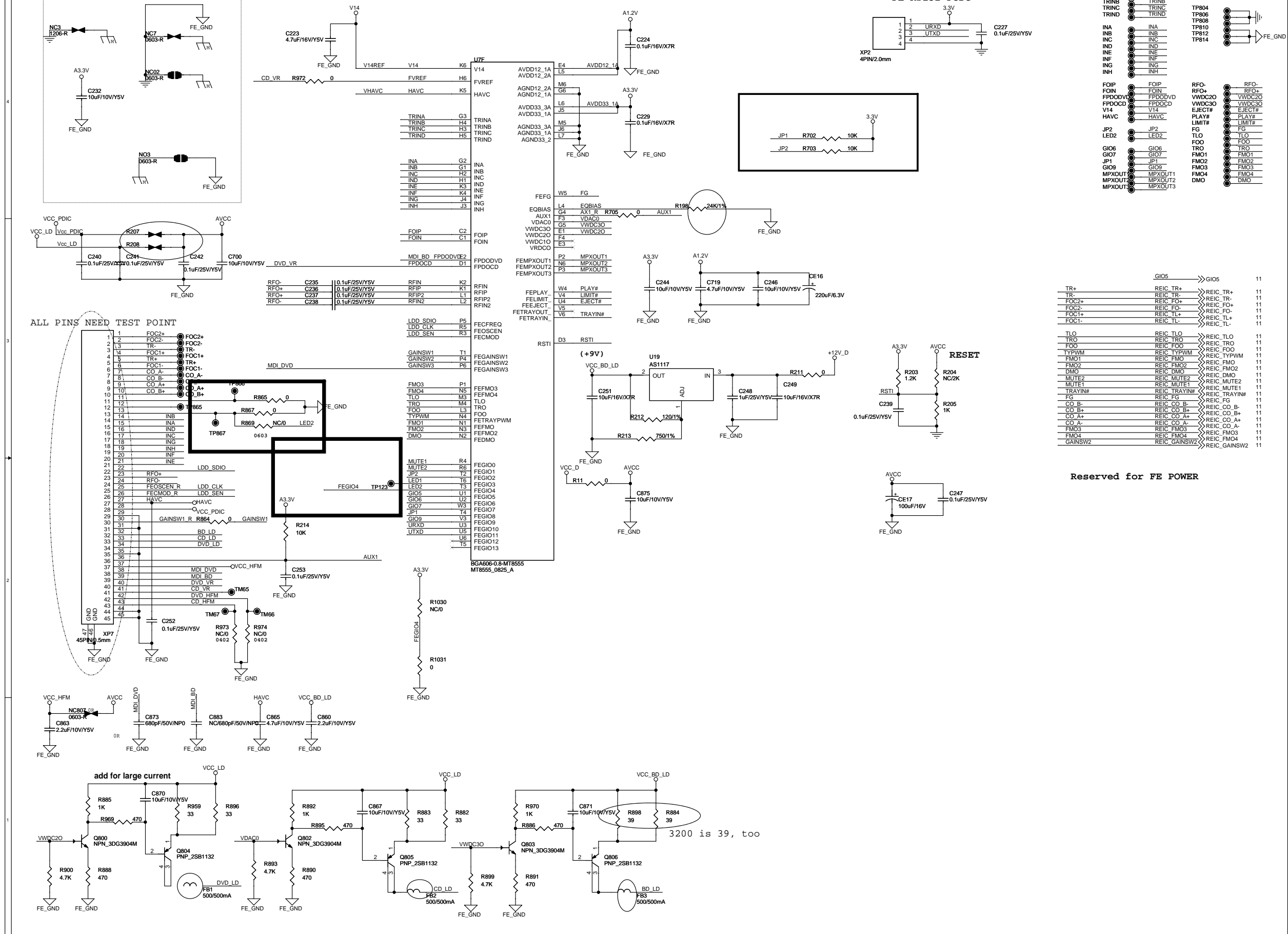


### Main Board Circuit Diagram: MCU





### Main Board Circuit Diagram: MT8555\_FE



Reserved for FE POWER

ALL PINS NEED TEST POINT

(+9V)

RESET

VCC\_D

AVCC

FE\_GND

FE\_GND

FE\_GND

FE\_GND

FE\_GND

FE\_GND

FE\_GND

FE\_GND

FE\_GND

FE\_GND

FE\_GND

FE\_GND

FE\_GND

FE\_GND

FE\_GND

FE\_GND

FE\_GND

FE\_GND

FE\_GND

FE\_GND

FE\_GND

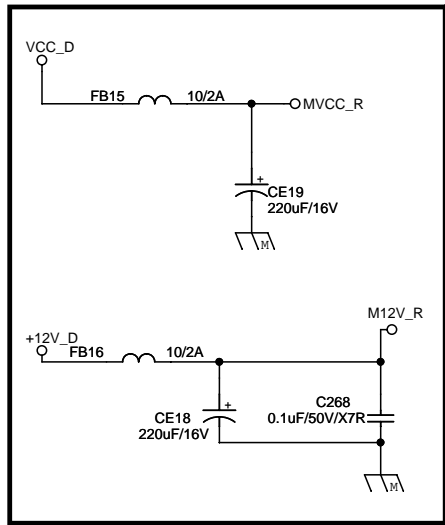
FE\_GND

FE\_GND

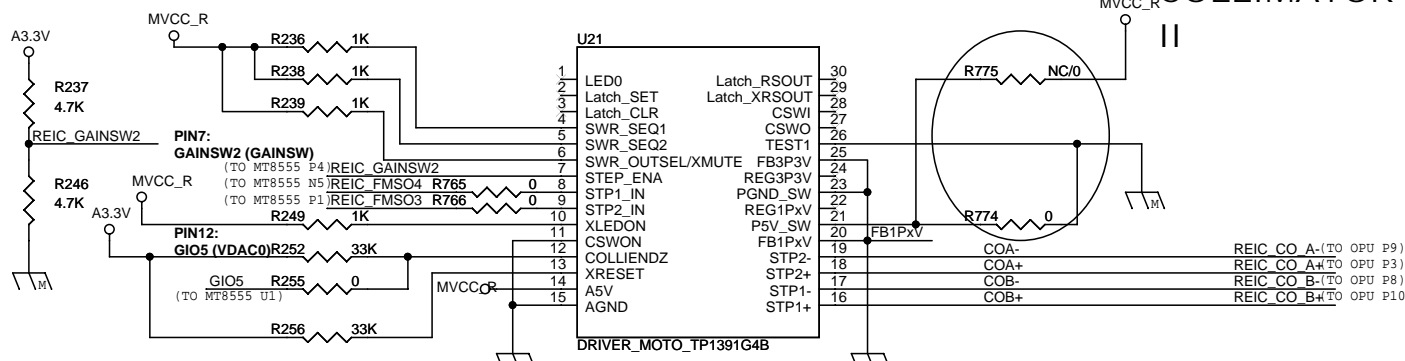
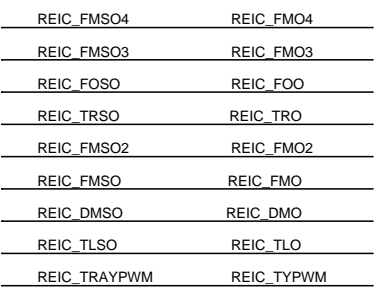
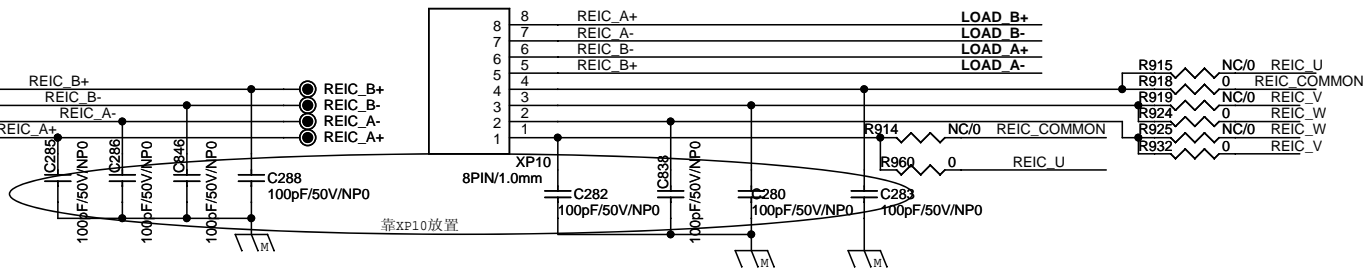
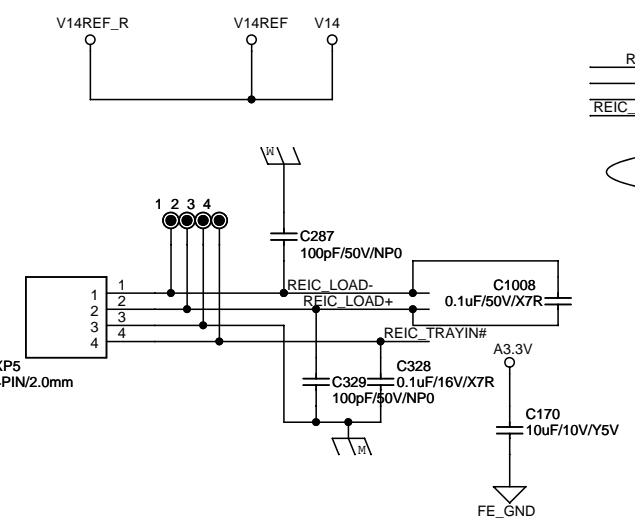
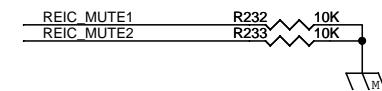
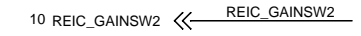
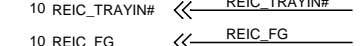
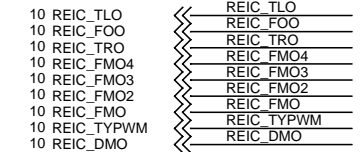
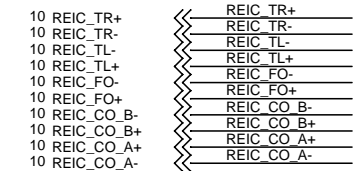
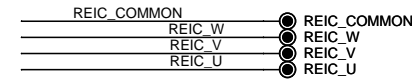
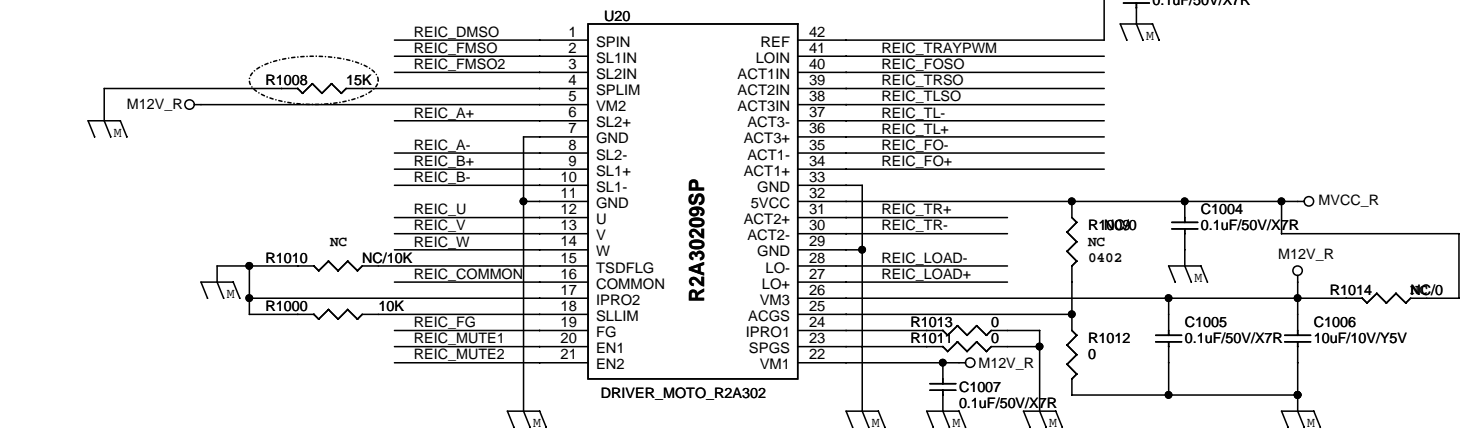
|         |              |    |
|---------|--------------|----|
| TR+     | REIC TR+     | 11 |
| TR-     | REIC TR-     | 11 |
| FOC2+   | REIC FO+     | 11 |
| FOC2-   | REIC FO-     | 11 |
| FOC1+   | REIC TL+     | 11 |
| FOC1-   | REIC TL-     | 11 |
| TLO     | REIC TLO     | 11 |
| TRO     | REIC TRO     | 11 |
| FOO     | REIC FOO     | 11 |
| TYPWM   | REIC TYPWM   | 11 |
| FMO1    | REIC FMO     | 11 |
| FMO2    | REIC FMO2    | 11 |
| DMO     | REIC DMO     | 11 |
| MUTE2   | REIC MUTE2   | 11 |
| MUTE1   | REIC MUTE1   | 11 |
| TRAYIN# | REIC TRAYIN# | 11 |
| FG      | REIC FG      | 11 |
| CO B-   | REIC CO B-   | 11 |
| CO B+   | REIC CO B+   | 11 |
| CO A+   | REIC CO A+   | 11 |
| CO A-   | REIC CO A-   | 11 |
| FMO3    | REIC FMO3    | 11 |
| FMO4    | REIC FMO4    | 11 |
| GAINSW2 | REIC GAINSW2 | 11 |

Reserved for FE POWER

Main Board Circuit Diagram: R2A30209SP\_DRIVER+SANYO



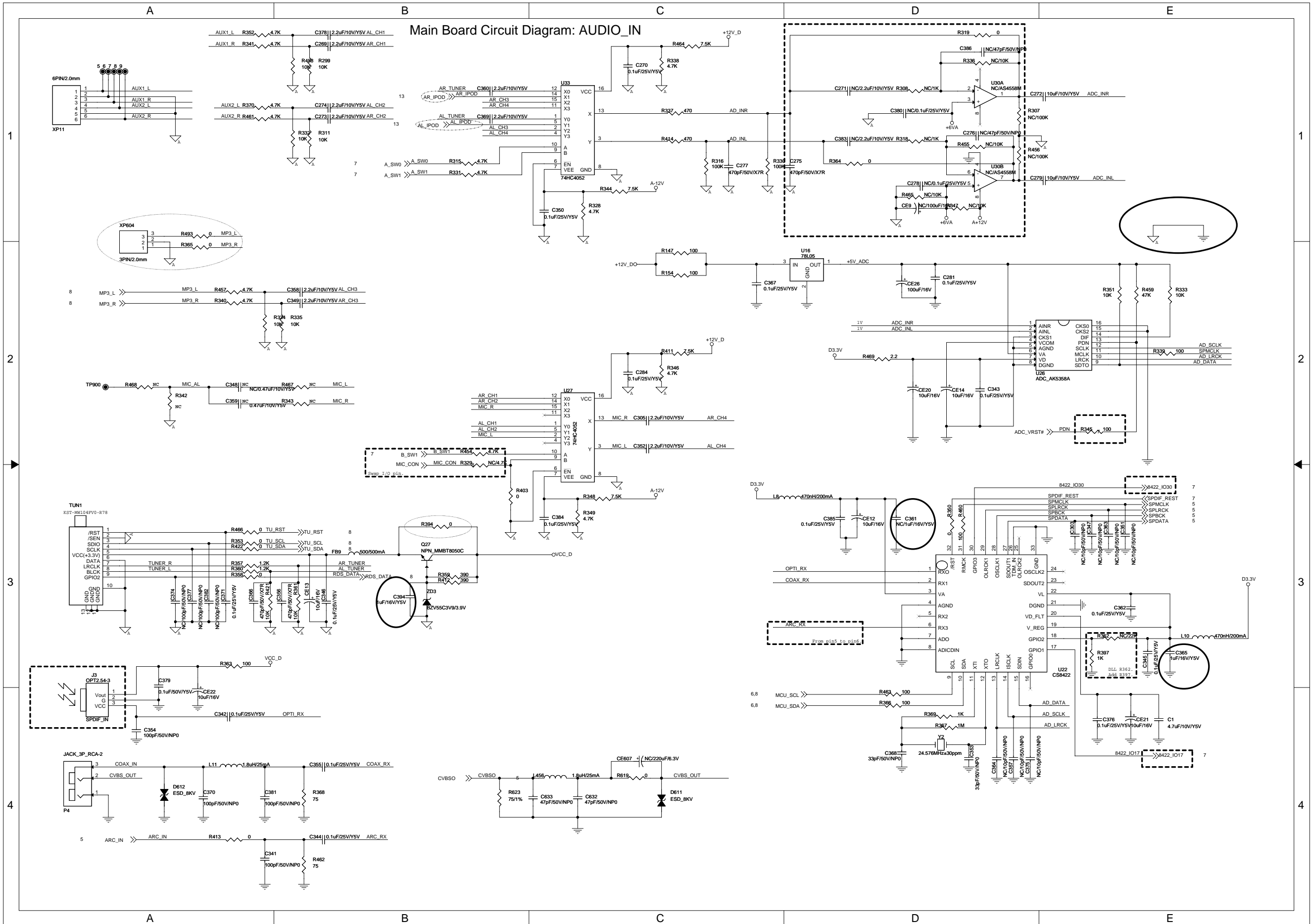
### Motor Driver Sensorless



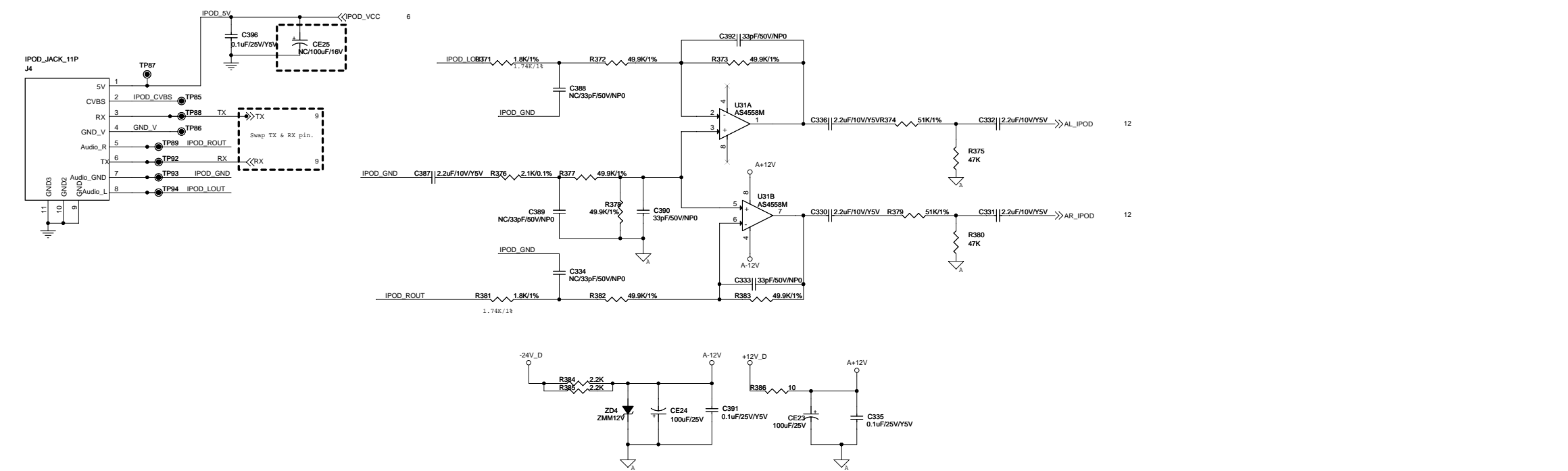
|                  |      |      |      |      |      |      |     |
|------------------|------|------|------|------|------|------|-----|
| sanyo 414H08     | R915 | R919 | R925 | R914 | R947 | R962 | NC  |
|                  | R918 | R924 | R932 | R960 | R946 | R961 | 0 R |
| Hitach HOP-B1350 | R918 | R924 | R932 | R960 | R946 | R961 | NC  |
|                  | R915 | R919 | R925 | R914 | R947 | R962 | 0 R |

When use Hitach OPU R863 is 10K

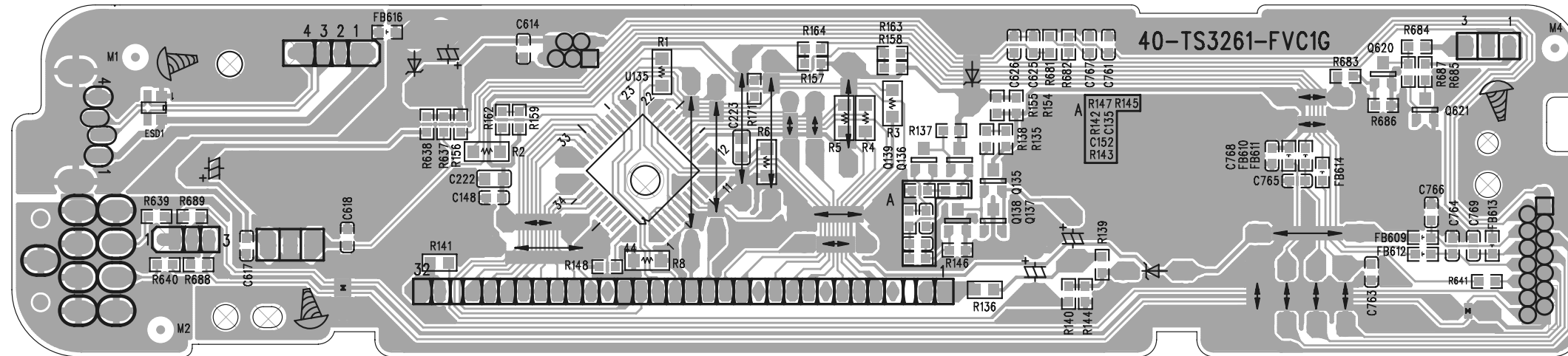
### Main Board Circuit Diagram: AUDIO\_IN



# Main Board Circuit Diagram: IPOD\_IN

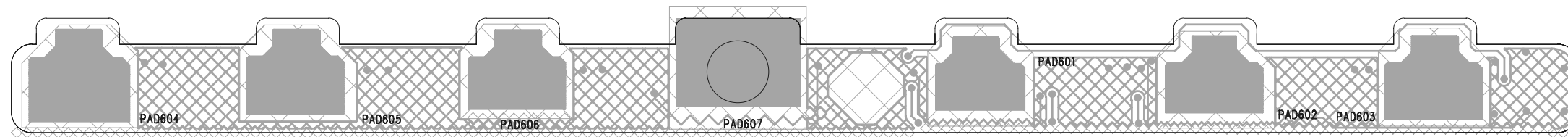
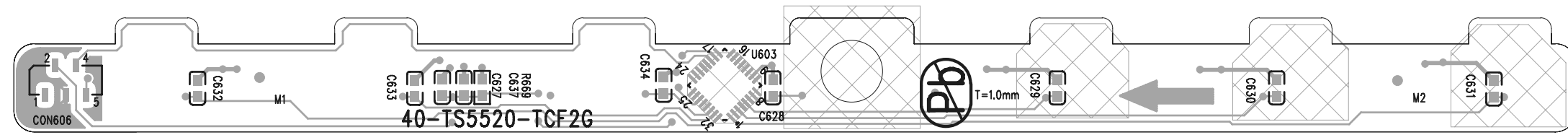


Front Control Board Print-layout (top side):

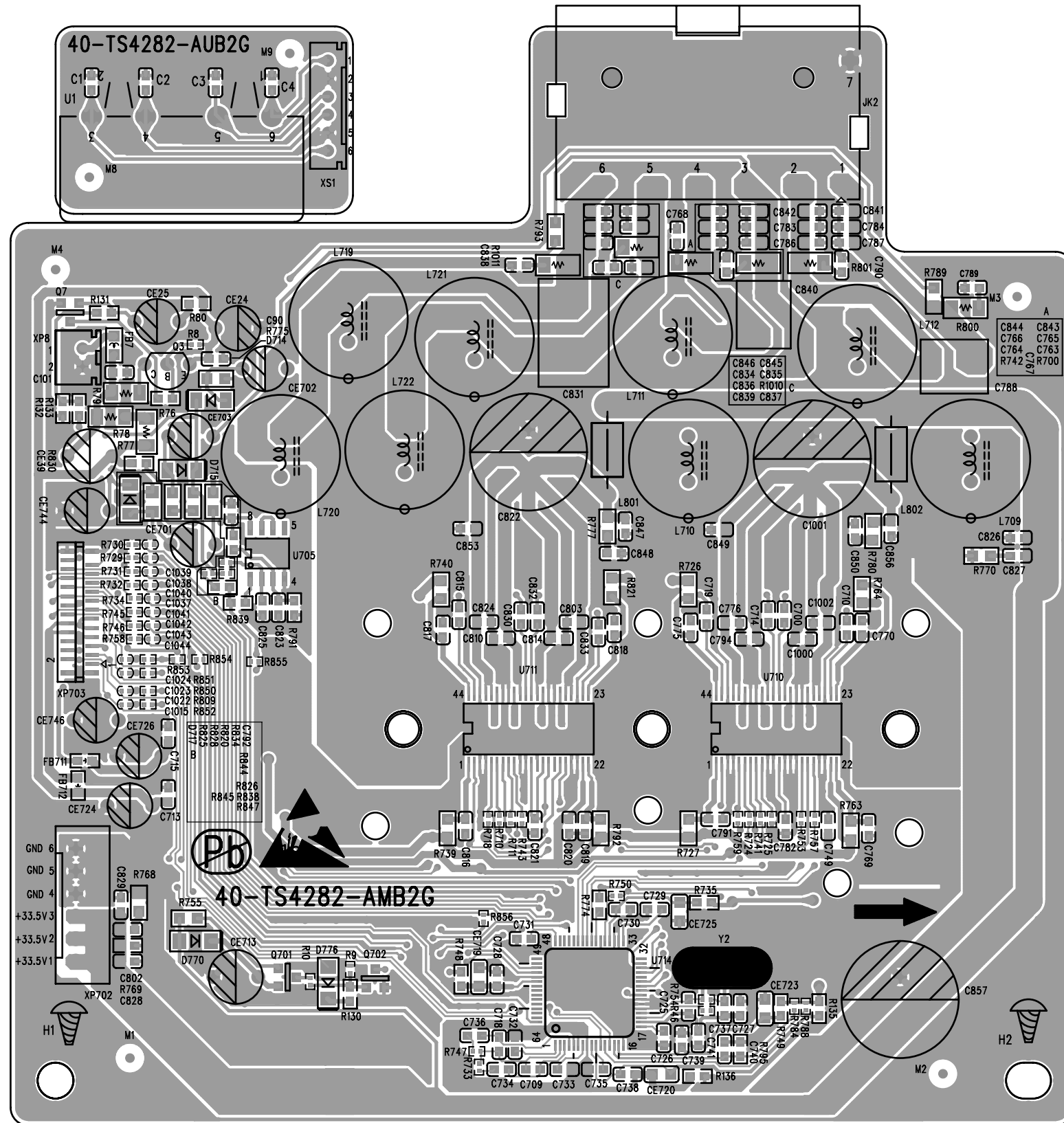




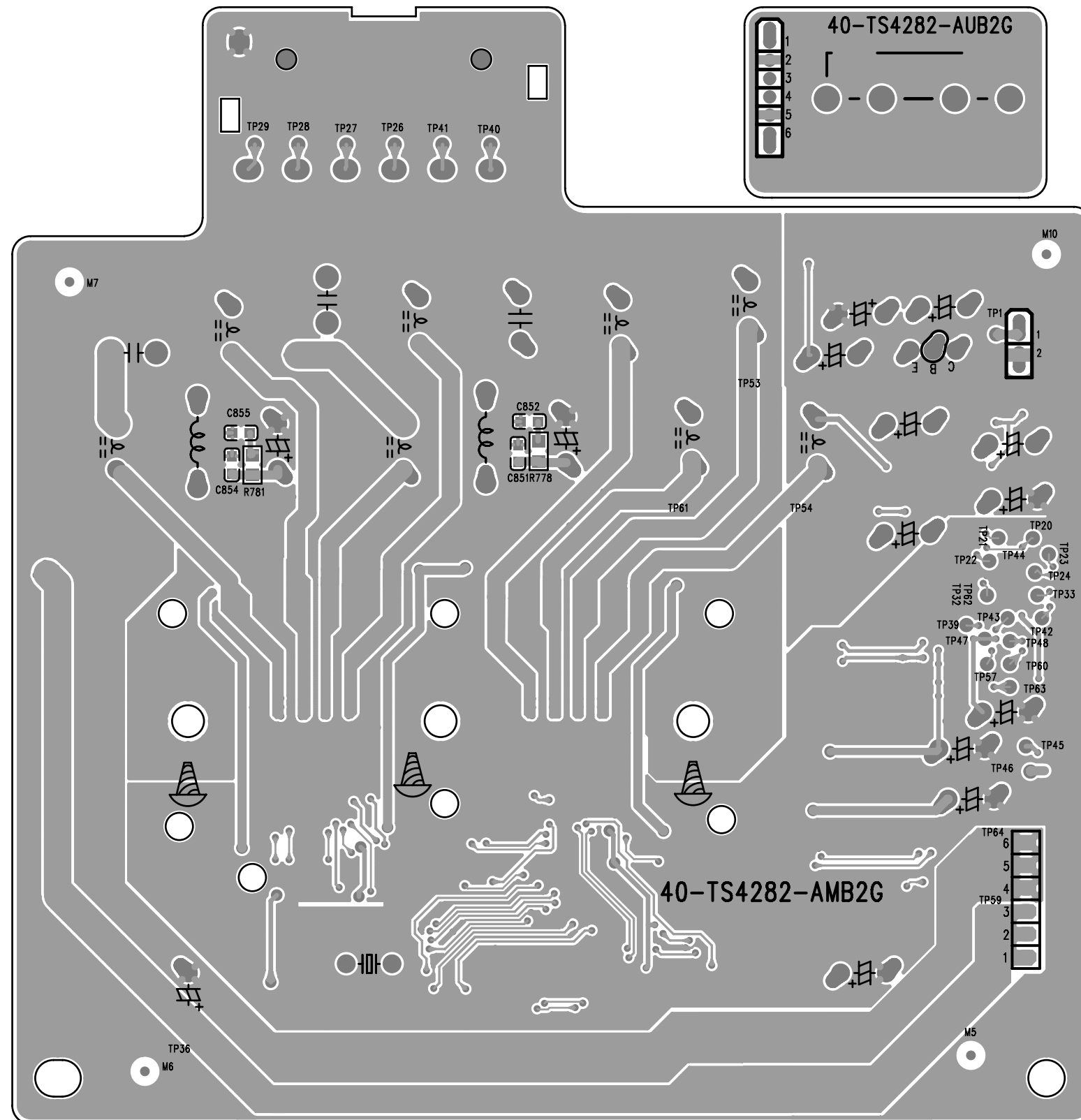
Touch Board Print-layout (top and bottom sides):



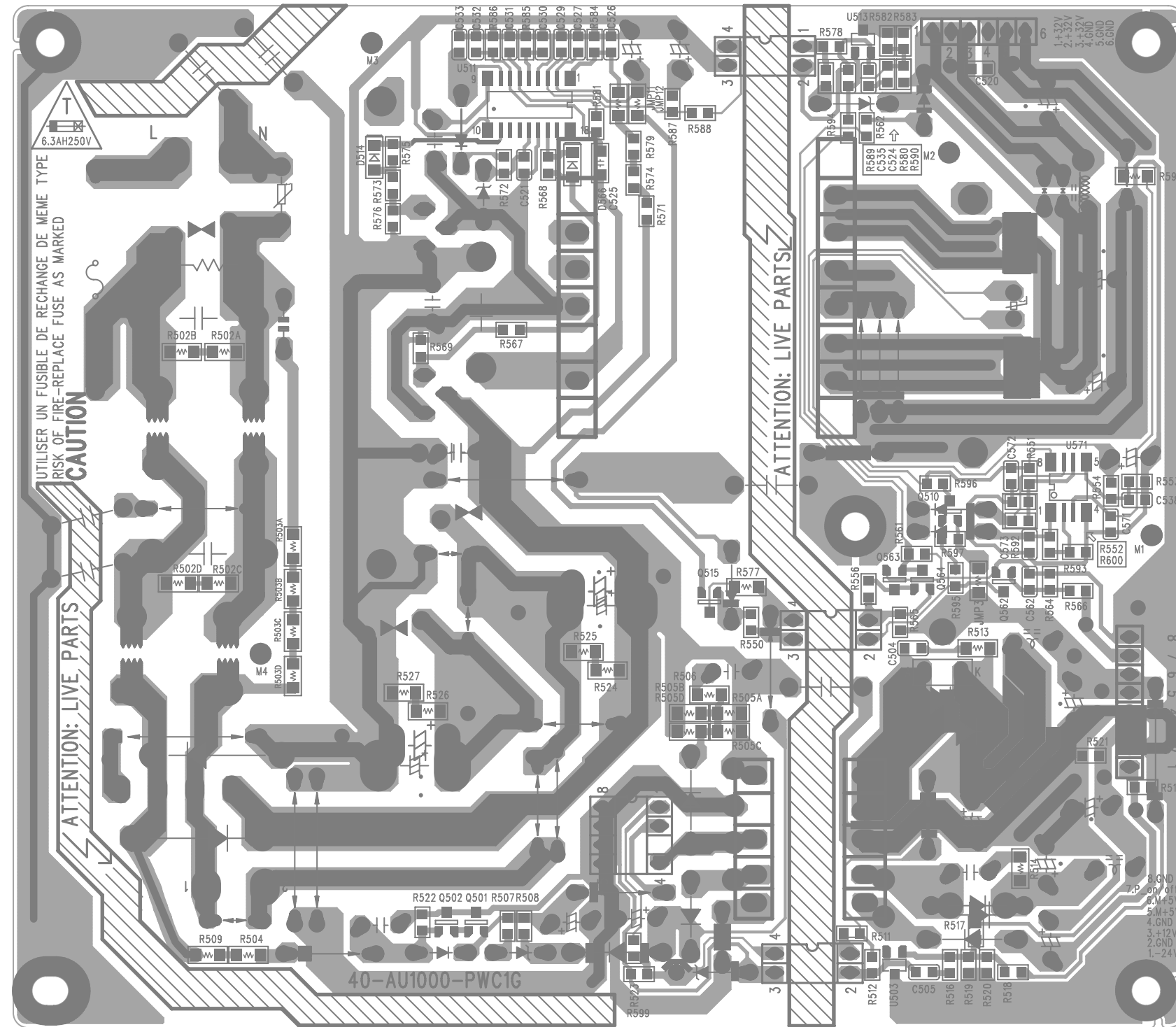
### Amplifier Board and Aux Input Board Print-layout (top side):



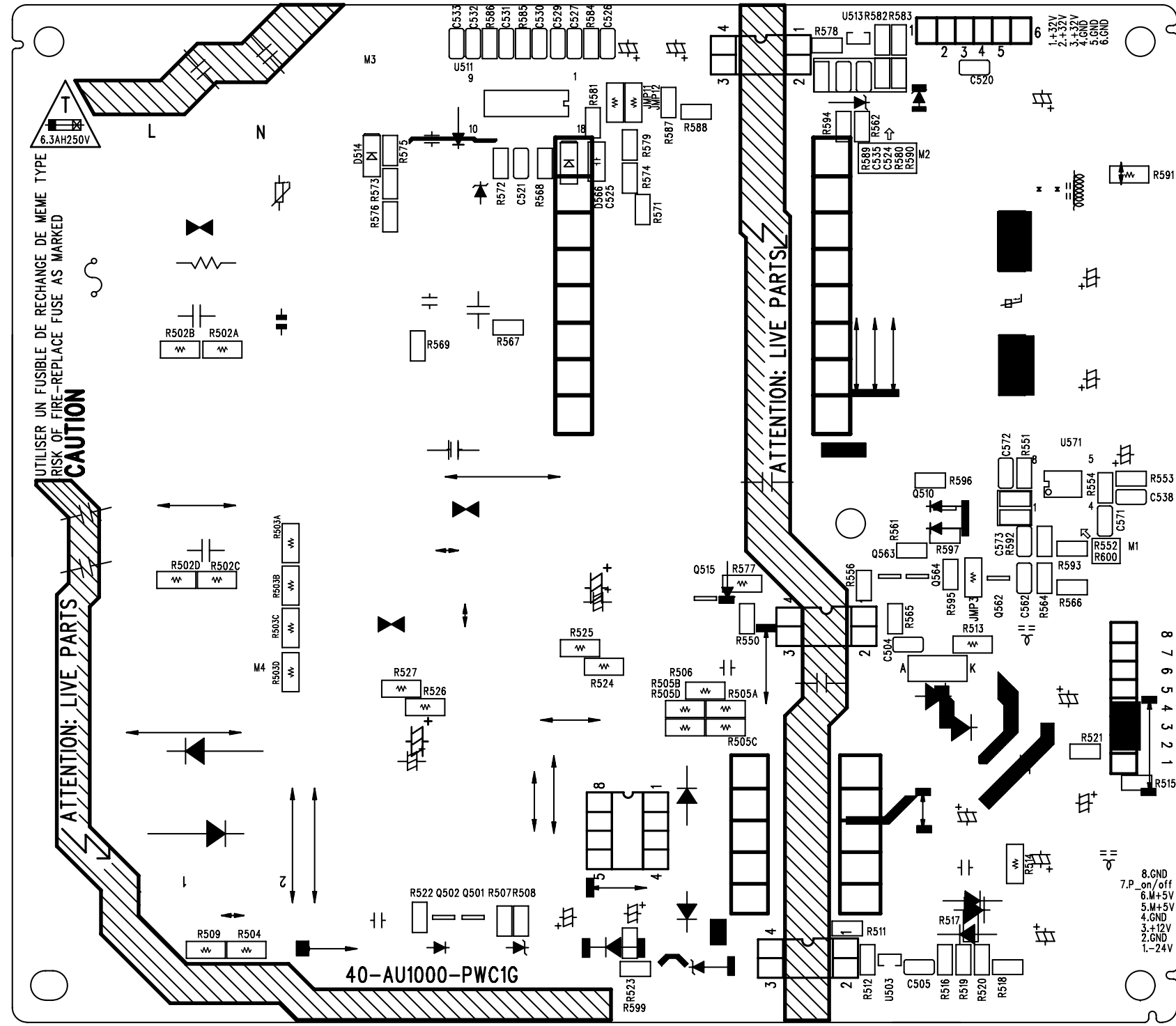
Amplifier Board and Aux Input Board Print-layout (bottom side):



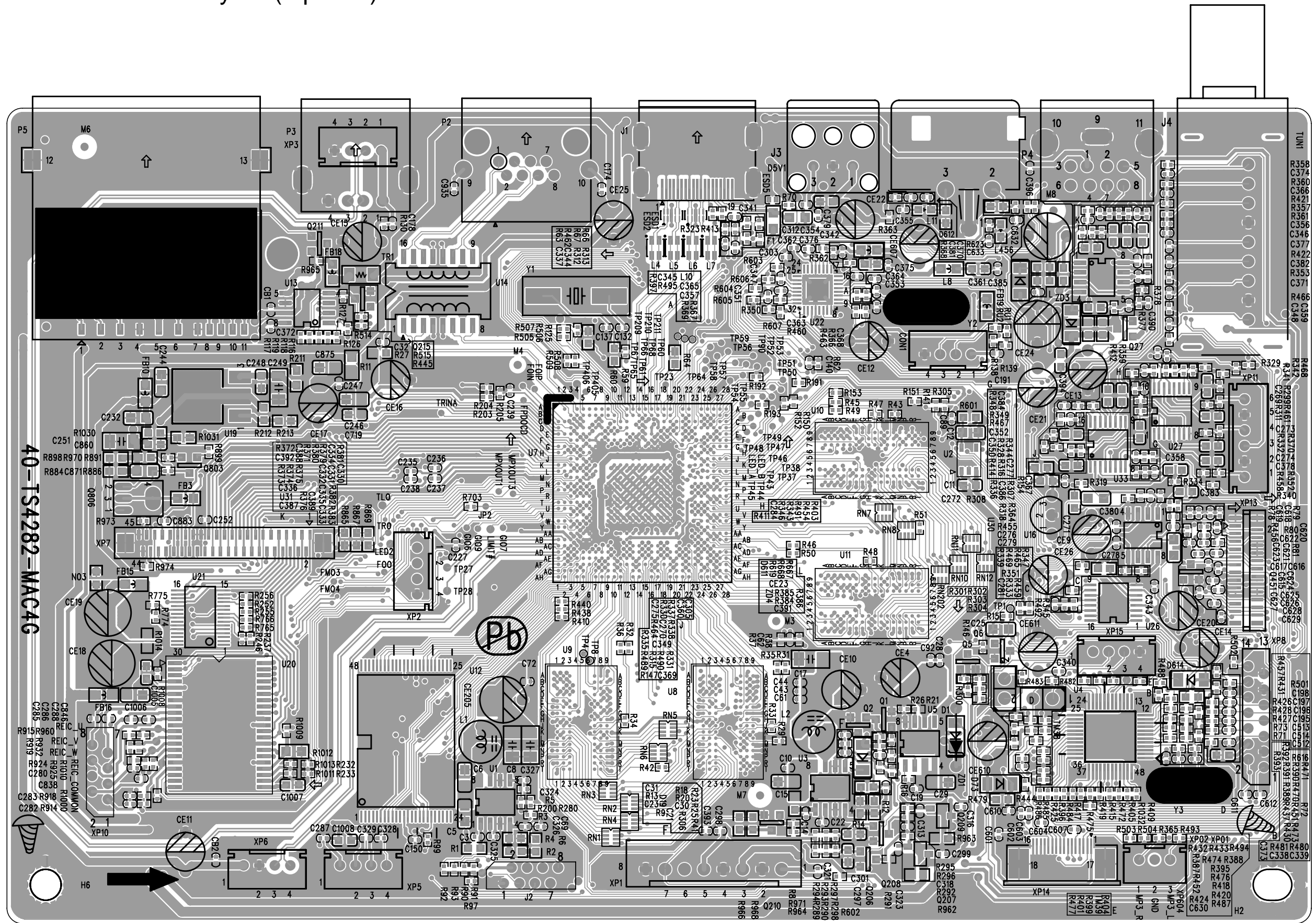
# Power Supply Print-layout (top side):



# Power Supply Print-layout(bottom side):

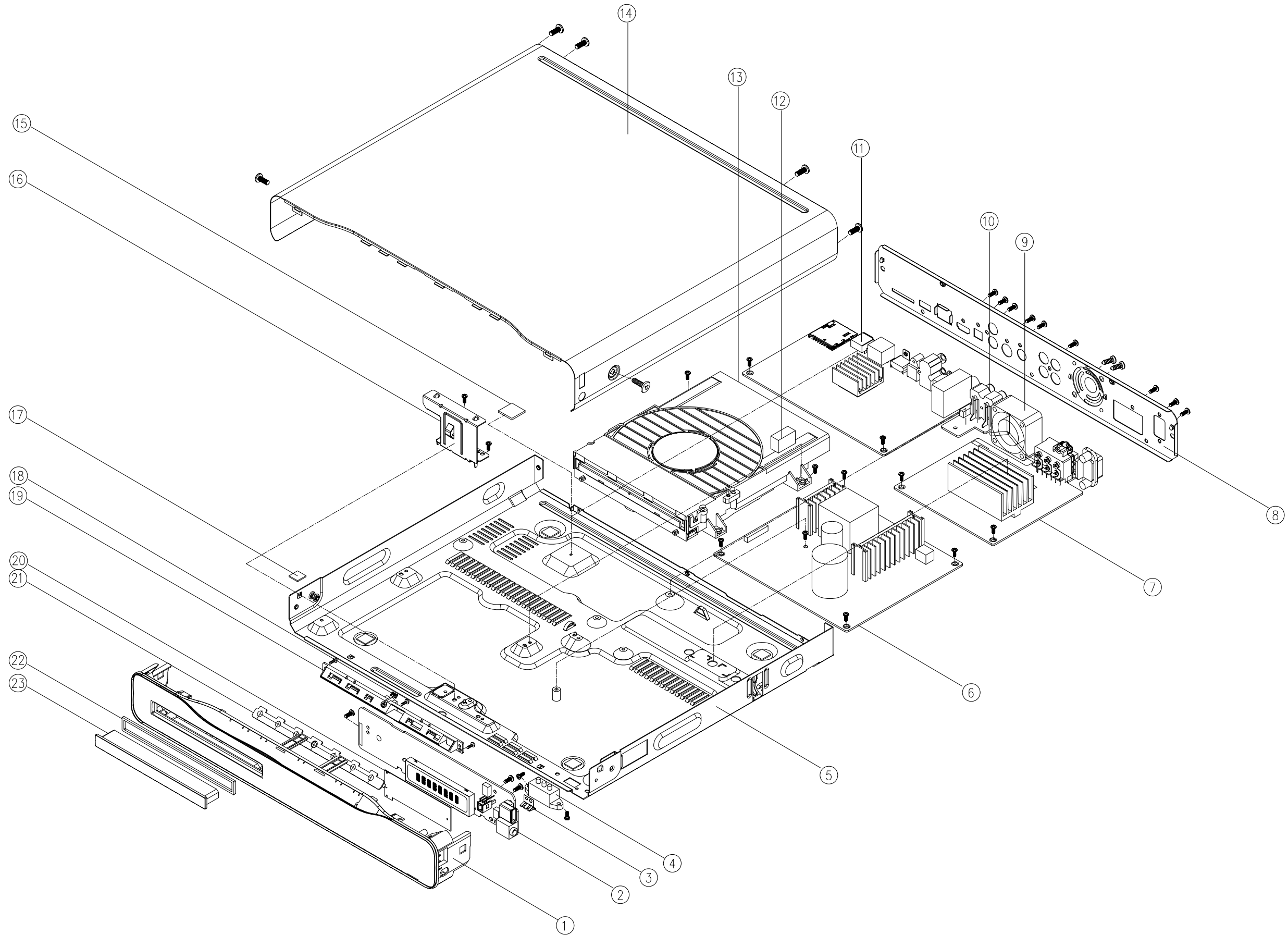


Main Board Print-layout (top side):





Exploded view for HTS3261/12/98:





## REVISION LIST

Version 1.0

\* Initial release for HTS3261/12

Version 1.1

\* Adding HTS3261/98